

JET

BD-3

METAL LATHE

50000080M/U
230/50-60/1

PARTS LIST

Walter Meier (Tool) AG

Tämperlistrasse 5

CH-8117 Fällanden

Switzerland

Phone +41 44 806 47 48

Fax +41 44 806 47 58

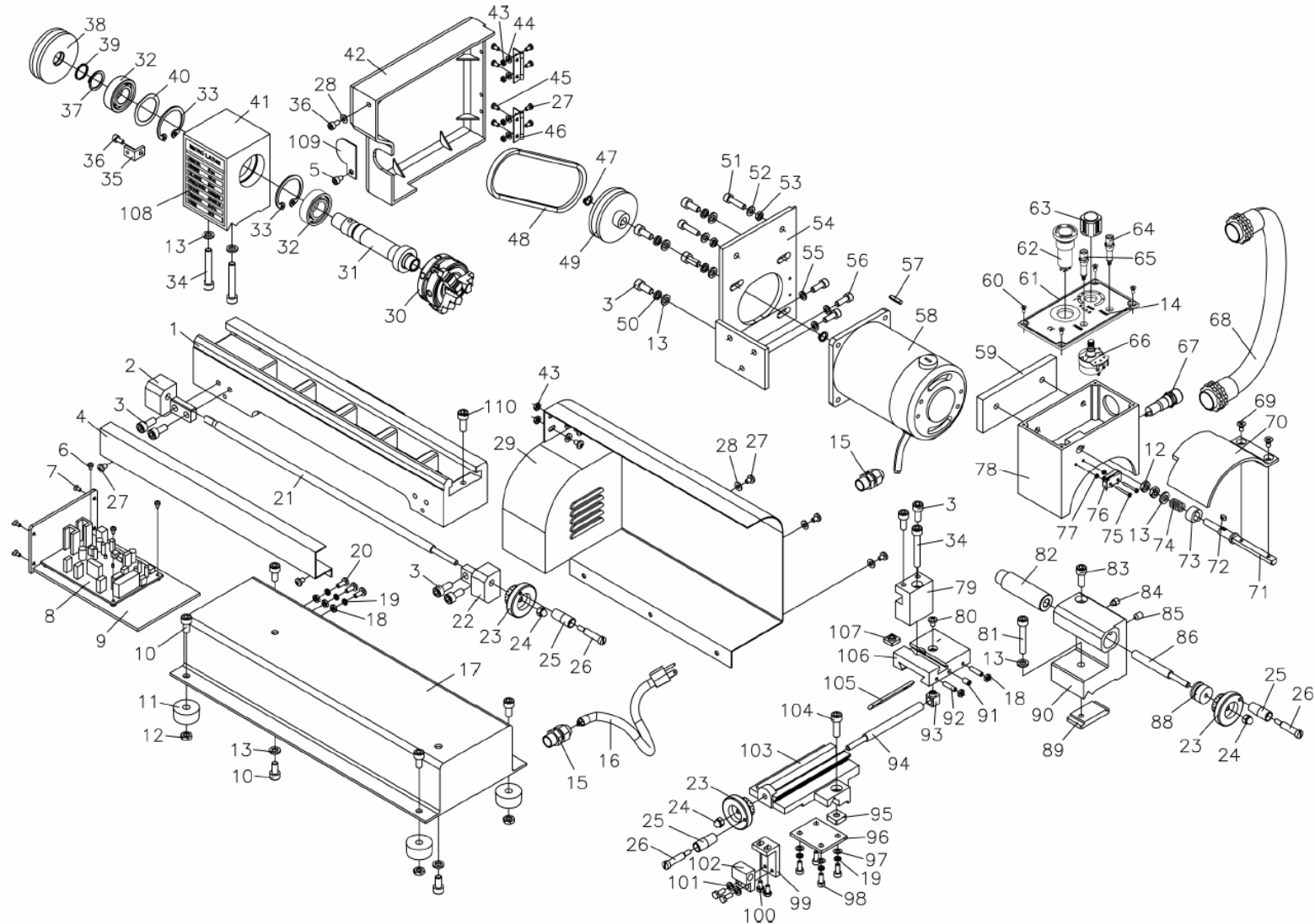
jetinfo.eu@waltermeier.com

www.jettools.com



P-50000080M/U 2010/07/01

Parts Breakdown For BD-3 Metal Lathe



Parts List for BD-3 Metal Lathe

Part	Description	Size	Qty.
BD3-001	Bed way		1
BD3-002	Leadscrew left support		1
BD3-003	Screw	M6x14	10
BD3-004	Protective cover for leadscrew		1
BD3-005	Screw	M4x6	1
BD3-006	Screw	ST2.9x6.5	3
BD3-007	Screw	M3x8	4
BD3-008	PC Board		1
BD3-009	Electricity fixed plate		1
BD3-010	Screw	M6x12	6
BD3-011	Rubber pad		4
BD3-012	Nut	M6	6
BD3-013	Small washer	6	10
BD3-014	Switch label		1
BD3-015	lock connect		2
BD3-016	Power line		1
BD3-017	Base		1
BD3-018	Nut	M4	5
BD3-019	Spring washer	4	7
BD3-020	Screw	M4x10	3
BD3-021	leadscrew		1
BD3-022	Leadscrew right support		1
BD3-023	Handle wheel		3
BD3-024	Cap nut	M5	3
BD3-025	Rotate small handle		3
BD3-026	Handle screw		3
BD3-027	Screw	M4x6	11
BD3-028	Flat washer	4	6
BD3-029	Dust guard		1
BD3-030	3 jaw chuck		1
BD3-031	Spindle		1
BD3-032	Bearing	17x35x10	2
BD3-033	check ring	35	2
BD3-034	Screw	M6x40	3
BD3-035	Fixed support		1
BD3-036	Screw	M4x8	2
BD3-037	Check ring	17	1
BD3-038	V pulley		1
BD3-039	Adjust ring		1
BD3-040	Washer		1
BD3-041	Headstock		1
BD3-042	Pulley cover		1
BD3-043	Nut	M4	6
BD3-044	Washer	4	4
BD3-045	Screw	M4x8	6
BD3-046	Higne	38*31	2
BD3-047	Check ring	8	2
BD3-048	V belt		1
BD3-049	V pulley		1
BD3-050	Spring washer	6	4
BD3-051	Screw	M5x20	2
BD3-052	Small washer	5	2
BD3-053	Nut	M5	2
BD3-054	Motor connect plate		1
BD3-055	Washer	5	3
BD3-056	Screw	M5x14	3
BD3-057	key	3x16	1

Parts List for BD-3 Metal Lathe

Part	Description	Size	Qty.
BD3-058	DC Motor		1
BD3-059	Mat plate		1
BD3-060	Screw	ST2.9x9.5	4
BD3-061	Electric box cover		1
BD3-062	Emergency stop button		1
BD3-063	Variable speed control knob		1
BD3-064	Yellow lamp		1
BD3-065	Green lamp		1
BD3-066	Variable speed control		1
BD3-067	Fuse box		1
BD3-068	plastic tube		1
BD3-069	Screw	M4x8	2
BD3-070	protective cover for chuck		1
BD3-071	Rotate shaft		1
BD3-072	key	3x6	1
BD3-073	Spacer		1
BD3-074	Compress spring	L=16	1
BD3-075	Screw	M2x20	2
BD3-076	Micro switch		1
BD3-077	Nut	M2	2
BD3-078	Electric box		1
BD3-079	Knife rest		1
BD3-080	Screw	M4x6	1
BD3-081	Screw	M6x35	1
BD3-082	Tailstock shaft		1
BD3-083	Screw	M6x16	1
BD3-084	Set screw		1
BD3-085	Set screw	M6x8	1
BD3-086	Tailstock shaft leadscrew		1
BD3-087	Small handle		2
BD3-088	Nesting		1
BD3-089	baffle		1
BD3-090	Tailstock		1
BD3-091	Screw	M5x8	1
BD3-092	Screw	M4x16	2
BD3-093	Saddle nut		1
BD3-094	Leadscrew		1
BD3-095	Saddle nut		1
BD3-096	press plate		1
BD3-097	Small washer	4	4
BD3-098	Screw	M4x10	4
BD3-099	Nut support		1
BD3-100	Bolt	M4x10	4
BD3-101	Washer	4	2
BD3-102	Leadscrew nut		1
BD3-103	Saddle		1
BD3-104	Screw	M6x20	1
BD3-105	Saddle wedge		1
BD3-106	middle saddle		1
BD3-107	Rest nut		1
BD3-108	Main label		1
BD3-109	baffle		1
BD3-110	Screw	M5x10	1

BD-3.....5000080M

230V/ 50-60Hz/ 1

