

J E T

AP-0/1/2/3/5 ARBOR PRESS

AP-0....333605

AP-1....333610

AP-2....333620

AP-3....333630

AP-5....333650

PARTS LIST

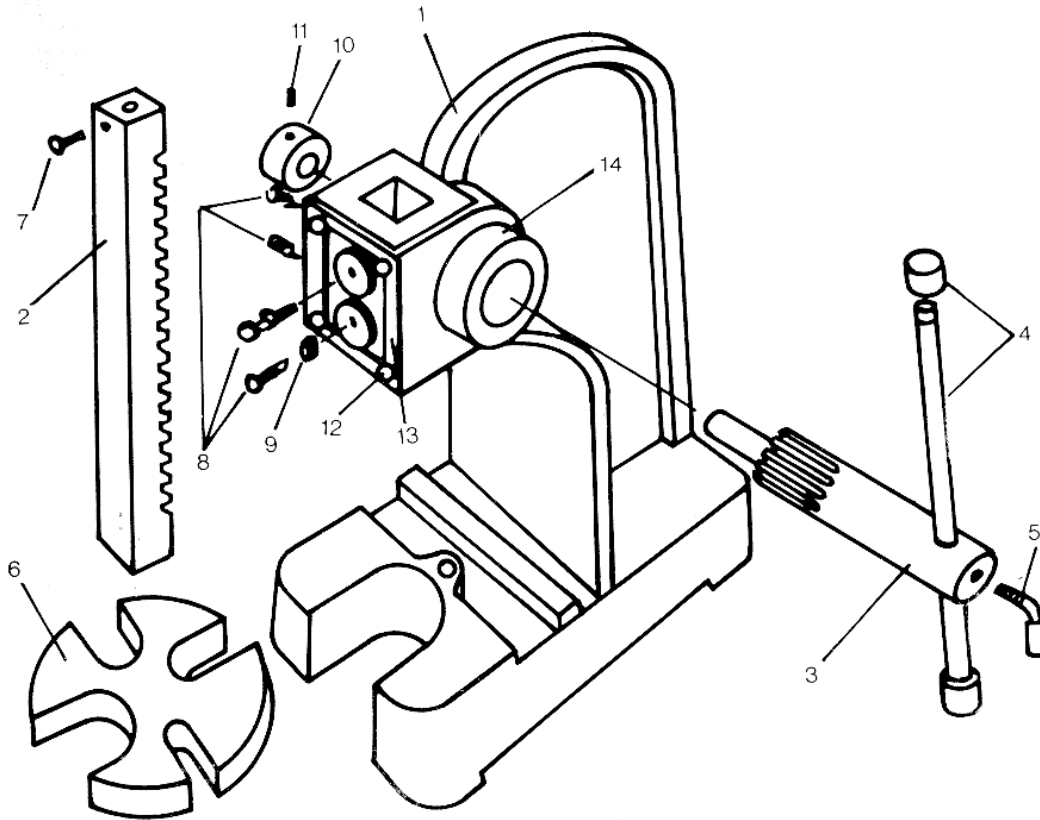
Walter Meier (Fertigung) AG
Bahnstrasse 24
8603 Schwerzenbach
Switzerland
Phone +41 44 806 47 48
Fax +41 44 806 47 58
jetinfo.eu@waltermeier.com
www.jettools.com



M-333606-333651

2009/08/28

Breakdown for AP-0 / AP-1 / AP-2 / AP-3 / AP-5 Arbor Presses



Parts List for AP-0...1/2 Ton Arbor Press

| Index No. | Part No. | Description | Size | Quantity |
|-----------|----------|--------------------|------|----------|
| 1 | AP0-01 | Arbor Press Body | | 1 |
| 2 | AP0-02 | Ram | | 1 |
| 3 | AP0-03 | Pinion | | 1 |
| 4 | AP0-04 | Handle and Cap | | 1 |
| 5 | AP0-05 | Locking Bolt | | 1 |
| 6 | AP0-06 | Table | | 1 |
| 7 | AP0-07 | Hex Head Bolt | | 1 |
| 8 | AP0-08 | Hex Adjusting Bolt | | 6 |
| 9 | AP0-09 | Hex Nut | | 6 |
| 10 | AP0-10 | Pinion Retainer | | 1 |
| 11 | AP0-11 | Set Screw | | 1 |
| 12 | AP0-12 | Hex Head Bolt | | 4 |
| 13 | AP0-13 | Face Plate | | 1 |

Parts List for AP-1...1 Ton Arbor Press

| Index No | Part No | Description | Size | Quantity |
|-----------------|----------------|--------------------|-------------|-----------------|
| 1 | AP1-01 | Arbor Press Body | | 1 |
| 2 | AP1-02 | Ram | | 1 |
| 3 | AP1-03 | Pinion | | 1 |
| 4 | AP1-04 | Handle and Cap | | 1 |
| 5 | AP1-05 | Locking Bolt | | 1 |
| 6 | AP1-06 | Table | | 1 |
| 7 | AP1-07 | Hex Head Bolt | | 1 |
| 8 | AP1-08 | Hex Adjusting Bolt | | 6 |
| 9 | AP1-09 | Hex Nut | | 6 |
| 10 | AP1-10 | Pinion Retainer | | 1 |
| 11 | AP1-11 | Set Screw | | 1 |
| 12 | AP1-12 | Hex Head Bolt | | 4 |
| 13 | AP1-13 | Face Plate | | 1 |

Parts List for AP-2...2 Ton Arbor Press

| Index No | Part No | Description | Size | Quantity |
|-----------------|----------------|--------------------|-------------|-----------------|
| 1 | AP2-01 | Arbor Press Body | | 1 |
| 2 | AP2-02 | Ram | | 1 |
| 3 | AP2-03 | Pinion | | 1 |
| 4 | AP2-04 | Handle and Cap | | 1 |
| 5 | AP2-05 | Locking Bolt | | 1 |
| 6 | AP2-06 | Table | | 1 |
| 7 | AP2-07 | Hex Head Bolt | | 1 |
| 8 | AP2-08 | Hex Adjusting Bolt | | 6 |
| 9 | AP2-09 | Hex Nut | | 6 |
| 10 | AP2-10 | Pinion Retainer | | 1 |
| 11 | AP2-11 | Set Screw | | 1 |
| 12 | AP2-12 | Hex Head Bolt | | 4 |
| 13 | AP2-13 | Face Plate | | 1 |

Parts List for AP-3...3 Ton Arbor Press

| Index No | Part No | Description | Size | Quantity |
|-----------------|----------------|--------------------|-------------|-----------------|
| 1 | AP3-01 | Arbor Press Body | | 1 |
| 2 | AP3-02 | Ram | | 1 |
| 3 | AP3-03 | Pinion | | 1 |
| 4 | AP3-04 | Handle and Cap | | 1 |
| 5 | AP3-05 | Locking Bolt | | 1 |
| 6 | AP3-06 | Table | | 1 |
| 7 | AP3-07 | Hex Head Bolt | | 1 |
| 8 | AP3-08 | Hex Adjusting Bolt | | 6 |
| 9 | AP3-09 | Hex Nut | | 6 |
| 10 | AP3-10 | Pinion Retainer | | 1 |
| 11 | AP3-11 | Set Screw | | 1 |
| 12 | AP3-12 | Hex Head Bolt | | 4 |
| 13 | AP3-13 | Face Plate | | 1 |

Parts List for AP-5...5 Ton Arbor Press

| Index No | Part No | Description | Size | Quantity |
|-----------------|----------------|--------------------|-------------|-----------------|
| 1 | AP5-01 | Arbor Press Body | | 1 |
| 2 | AP5-02 | Ram | | 1 |
| 3 | AP5-03 | Pinion | | 1 |
| 4 | AP5-04 | Handle and Cap | | 1 |
| 5 | AP5-05 | Locking Bolt | | 1 |
| 6 | AP5-06 | Table | | 1 |
| 7 | AP5-07 | Hex Head Bolt | | 1 |
| 8 | AP5-08 | Hex Adjusting Bolt | | 6 |
| 9 | AP5-09 | Hex Nut | | 6 |
| 10 | AP5-10 | Pinion Retainer | | 1 |
| 11 | AP5-11 | Set Screw | | 1 |
| 12 | AP5-12 | Hex Head Bolt | | 4 |
| 13 | AP5-13 | Face Plate | | 1 |