

JET

BD-8

METAL LATHE

50000085M

~230V 50-60Hz

PARTS LIST

Walter Meier (TOOL) AG

Tämperlistrasse 5

CH-8117 Fällanden

Switzerland

Phone +41 44 806 47 48

Fax +41 44 806 47 58

jetinfo.eu@waltermeier.com

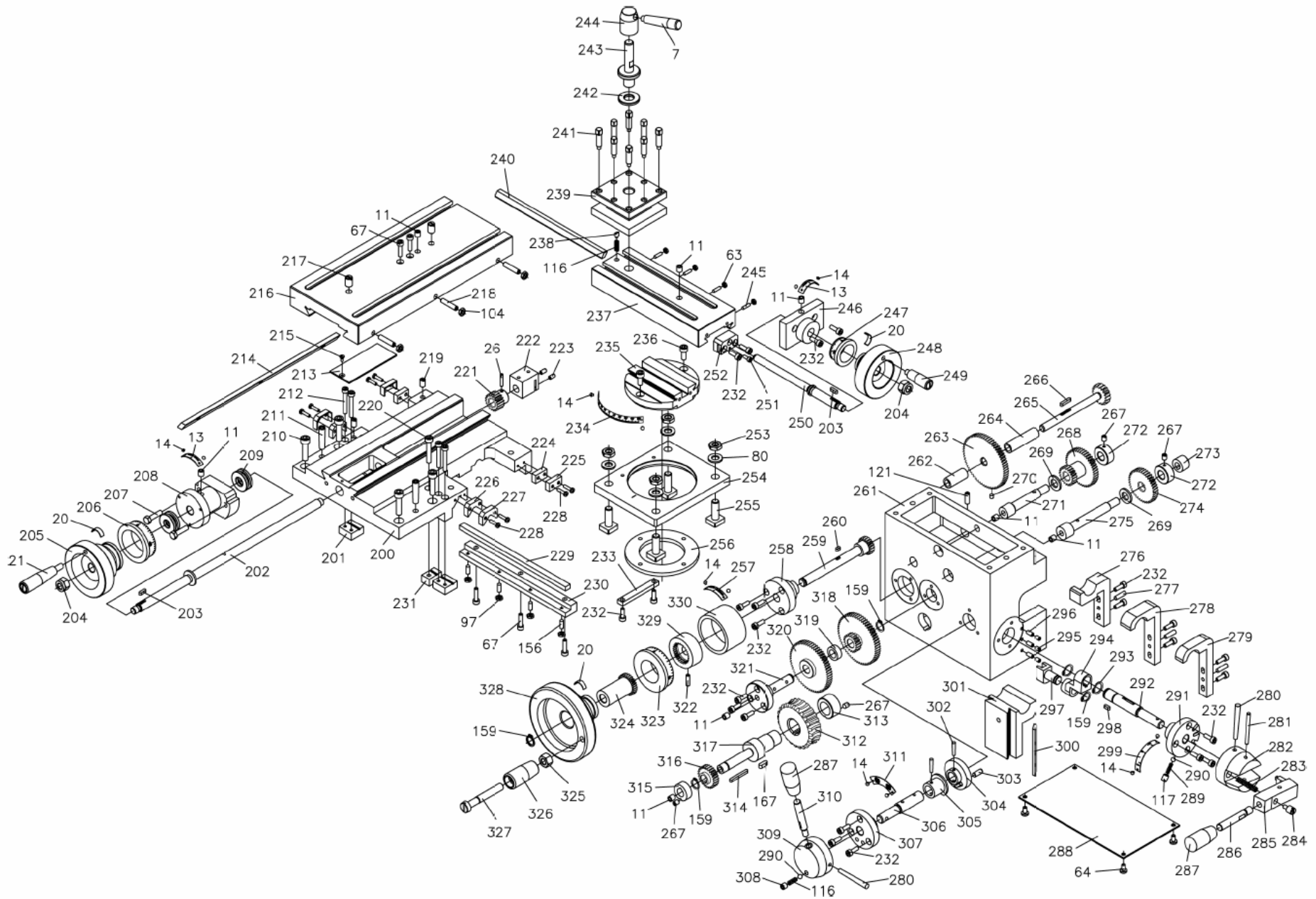
www.jettools.com



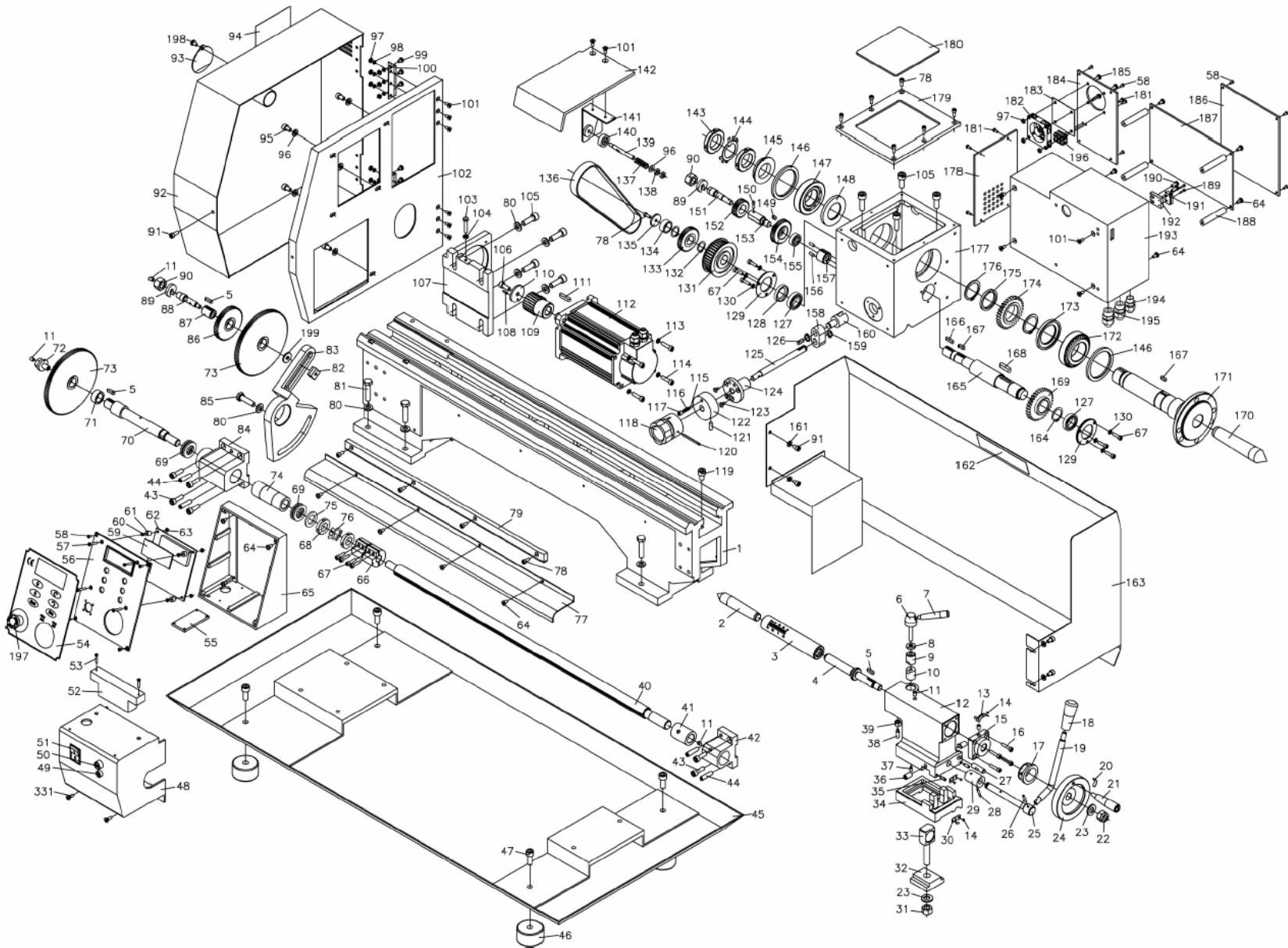
P-50000085M

2010-08

Parts Breakdown For BD-8 Metal Lathe



Parts Breakdown For BD-8 Metal Lathe



Parts List For BD-8 Metal Lathe

Part	Description	Size	Qty
BD8-001	bed way		1
BD8-002	tailstock center		1
BD8-003	tailstock sleeve		1
BD8-004	lead screw		1
BD8-005	key	4x16	3
BD8-006	lock shaft		1
BD8-007	knob		2
BD8-008	adjust washer		1
BD8-009	lock sleeve		1
BD8-010	lock nut		1
BD8-011	oil cup	6	13
BD8-012	tailstock casting		1
BD8-013	scale lable		3
BD8-014	rivet	2x4	18
BD8-015	lead screw support		1
BD8-016	screw	M4x20	4
BD8-017	dial		1
BD8-018	handle	M8x50	1
BD8-019	knob		1
BD8-020	spring		4
BD8-021	long handle	M6x50	2
BD8-022	lock nut	M10	1
BD8-023	washer	10	2
BD8-024	handle wheel		1
BD8-025	rotating shaft		1
BD8-026	pin	3x16	2
BD8-027	limit shank		1
BD8-028	pin	3x20	1
BD8-029	eccentric sleeve		1
BD8-030	zero position lable		2
BD8-031	nut		1
BD8-032	tailstock clamp plate		1
BD8-033	lock bolt		1
BD8-034	stand		1
BD8-035	screw	M4x12	2
BD8-036	screw	M8x14	2
BD8-037	screw	M4x10	1
BD8-038	screw	M6x16	1
BD8-039	nut	M6	1
BD8-040	lead screw		1
BD8-041	copper bush II		1
BD8-042	bracket		1
BD8-043	screw	M6x20	6
BD8-044	pin	6x26	4
BD8-045	chip tray (optional parts)		1
BD8-046	rubber foot (optional parts)		4
BD8-047	screw (optional parts)	M8x20	6
BD8-048	protecting cover of bracket		1
BD8-049	green power on lamp (HL)		1
BD8-050	fuse (FU)		1
BD8-051	Power on switch (SA)		1
BD8-052	electric EMC filter (Z)		1
BD8-053	screw	M3x16	2
BD8-054	switch film		1
BD8-055	transformer with rectifier (T)		1
BD8-056	switch label		1
BD8-057	screw	M3x20	4

Parts List For BD-8 Metal Lathe

Part	Description	Size	Qty
BD8-058	screw	ST2.9x9.5	12
BD8-059	digital readout guard		1
BD8-060	compression spring	0.7x4.5x7	4
BD8-061	Spacer bushing		4
BD8-062	Circuit board for DRO and control (AP2)		1
BD8-063	nut	M3	8
BD8-064	screw	M4x8	19
BD8-065	control box		1
BD8-066	joint sleeve of leadscrew		1
BD8-067	screw	M4x16	15
BD8-068	nut	M16x1.5	2
BD8-069	ball bearing	8103	2
BD8-070	leadscrew connecting shaft		1
BD8-071	thick washer		1
BD8-072	bolt		1
BD8-073	change gear	120 teeth	2
BD8-074	copper bush I		1
BD8-075	washer		1
BD8-076	lock washer	16x22	1
BD8-077	protecting cover of lead		1
BD8-078	screw	M4x10	11
BD8-079	rack		1
BD8-080	washer	8	15
BD8-081	bolt	M8x35	6
BD8-082	square nut		1
BD8-083	support plate		1
BD8-084	bracket		1
BD8-085	bolt	M8x30	1
BD8-086	change gear	60 teeth	1
BD8-087	bearing		1
BD8-088	bolt		1
BD8-089	open washer		2
BD8-090	nut	M12	2
BD8-091	screw	M5x8	5
BD8-092	gear box cover		1
BD8-093	small cover		1
BD8-094	thread and feeding table		1
BD8-095	screw	M6x10	5
BD8-096	washer	6	6
BD8-097	nut	M4	22
BD8-098	spring washer	M4	12
BD8-099	screw	M4x6	6
BD8-100	hinge	62x33	2
BD8-101	screw	M4x10	12
BD8-102	rear plate of gear ox cover		1
BD8-103	bolt	M5x25	1
BD8-104	nut	M5	4
BD8-105	screw	M8x25	6
BD8-106	screw	M6x16	1
BD8-107	motor support		1
BD8-108	pin	3x10	1
BD8-109	pulley		1
BD8-110	washer		1
BD8-111	key	5x25	1
BD8-112	brushless motor (M)		1
BD8-113	spring washer	5	4
BD8-114	screw	M5x20	4

Parts List For BD-8 Metal Lathe

Part	Description	Size	Qty
BD8-115	steel ball	4	1
BD8-116	compression spring	0.8x4x12	3
BD8-117	screw	M6x8	2
BD8-118	knob		1
BD8-119	screw	M8x12	1
BD8-120	pin	3x40	1
BD8-121	screw	M5x16	2
BD8-122	finding dial		1
BD8-123	screw	M4x8	3
BD8-124	finding sleeve		1
BD8-125	small shaft		1
BD8-126	key	4x14	1
BD8-127	bearing	61903	2
BD8-128	spacer		1
BD8-129	cover		2
BD8-130	washer	4	6
BD8-131	spindle pulley		1
BD8-132	check ring	16	2
BD8-133	gear		1
BD8-134	washer		1
BD8-135	check ring		1
BD8-136	timing belt		1
BD8-137	compression spring		1
BD8-138	nut	M6	2
BD8-139	small shaft		1
BD8-140	damp sleeve		1
BD8-141	splash guard support		1
BD8-142	guard		1
BD8-143	nut	M27x1.5	2
BD8-144	lock washer	27x37	1
BD8-145	spacer		1
BD8-146	oil ring		2
BD8-147	bearing	30206	1
BD8-148	oil ring		1
BD8-149	key	4x8	1
BD8-150	pin	B3x14	1
BD8-151	spindle bolt		1
BD8-152	gear		1
BD8-153	intermediate shaft		1
BD8-154	gear		1
BD8-155	bearing	60018	1
BD8-156	screw	M4x12	6
BD8-157	inlay block		1
BD8-158	shifting arm		1
BD8-159	check ring	10	6
BD8-160	shifting block		1
BD8-161	washer	5	4
BD8-162	safety lable		1
BD8-163	rear splash guard		1
BD8-164	ring	21	1
BD8-165	H/L gear shaft		1
BD8-166	key	4x18	1
BD8-167	key	4x12	3
BD8-168	key	6x25	1
BD8-169	H/L gear		1
BD8-170	spindle center		1
BD8-171	spindle		1

Parts List For BD-8 Metal Lathe

Part	Description	Size	Qty
BD8-172	bearing	32007	1
BD8-173	oil ring		1
BD8-174	spindle gear		1
BD8-175	spacer		1
BD8-176	check ring	30	2
BD8-177	head stock body		1
BD8-178	cover of electric box		1
BD8-179	cover		1
BD8-180	rubber		1
BD8-181	screw	ST2.9x9.5	6
BD8-182	small fan (F)		1
BD8-183	protect mesh		1
BD8-184	small cover of electric box		1
BD8-185	screw	M4x16	4
BD8-186	big cover of electric box		1
BD8-187	Variable speed_main circuit board (AP1)		1
BD8-188	stepping		4
BD8-189	screw	M2x10	2
BD8-190	screw	M4x12	2
BD8-191	micro switch for chuck guard (SQ)		1
BD8-192	bottom plate of micro switch		1
BD8-193	electric box		1
BD8-194	lock connect	M12	1
BD8-195	lock connect	M16	2
BD8-196	connection pole		1
BD8-197	emergency stop switch (SB)		1
BD8-198	screw	M5x8	1
BD8-199	washer		1
BD8-200	saddle		1
BD8-201	front clamp		2
BD8-202	lead screw		1
BD8-203	key	3x10	2
BD8-204	lock nut	M8	2
BD8-205	handle wheel		1
BD8-206	dial		1
BD8-206-DRO	DRO handwheel unit (not shown)		2
50000092	DRO handwheel kit (Set of 2 pieces)		
BD8-207	bolt	M5x20	2
BD8-208	bearing seat		1
BD8-209	bearing	8100	2

Parts List For BD-8 Metal Lathe

Part	Description	Size	Qty
BD8-210	screw	M6x25	4
BD8-211	pin	6x30	2
BD8-212	screw	M4x30	4
BD8-213	cover		1
BD8-214	gib strip		1
BD8-215	screw	M3x6	1
BD8-216	cross slide		1
BD8-217	screw	M8x12	2
BD8-218	screw	M5x25	3
BD8-219	screw	M6x10	2
BD8-220	screw	M5x30	1
BD8-221	gear		1
BD8-222	nut		1
BD8-223	screw	M4x8	2
BD8-224	oil-stopping felt		2
BD8-225	protecting panel		2
BD8-226	oil-stopping felt		2
BD8-227	protecting panel		2
BD8-228	screw	M3x12	8
BD8-229	gib strip		1
BD8-230	rear clamp		1
BD8-231	rear clamp		1
BD8-232	screw	M4x12	24
BD8-233	finding block		1
BD8-234	angle ruler		1
BD8-235	cutter rest revolving dial		1
BD8-236	screw	M5x12	2
BD8-237	compound rest		1
BD8-238	positing pin		1
BD8-239	tool rest		1

Parts List For BD-8 Metal Lathe

Part	Description	Size	Qty
BD8-240	gib strip		1
BD8-241	screw	M6x20	8
BD8-242	adjusting washer		1
BD8-243	fuselage		1
BD8-244	clamping lever		1
BD8-245	screw	M3x12	4
BD8-246	leadscrew support		1
BD8-247	dial		1
BD8-248	handle wheel		1
BD8-249	knob	M6x32	1
BD8-250	lead screw		1
BD8-251	screw	M3x8	1
BD8-252	nut		1
BD8-253	nut	M8	4
BD8-254	stand		1
BD8-255	T bolt		4
BD8-256	rotating clamp		1
BD8-257	lable		1
BD8-258	shaft I sleeve		1
BD8-259	shaft I gear shaft		1
BD8-260	key	3x6	1
BD8-261	apron		1
BD8-262	shaft II sleeve I		1
BD8-263	shaft II gear		1
BD8-264	shaft II sleeve II		1
BD8-265	shaft II gear shaft		1
BD8-266	key	3x16	1
BD8-267	screw	M5x8	4
BD8-268	H/L gear of shaft V		1
BD8-269	washer		2
BD8-270	screw	M4x6	1
BD8-271	shaft V		1
BD8-272	ring	10	2
BD8-273	shaft sleeve		1
BD8-274	shaft IV gear		1
BD8-275	shaft IV		1
BD8-276	leadscrew support		1
BD8-277	pin	B4x16	3
BD8-278	leadscrew supporting clasp II		1
BD8-279	leadscrew supporting clasp I		1
BD8-280	pin	4x45	2
BD8-281	pin	4x40	1
BD8-282	handle seat II		1
BD8-283	compression spring	0.8x5x30	1

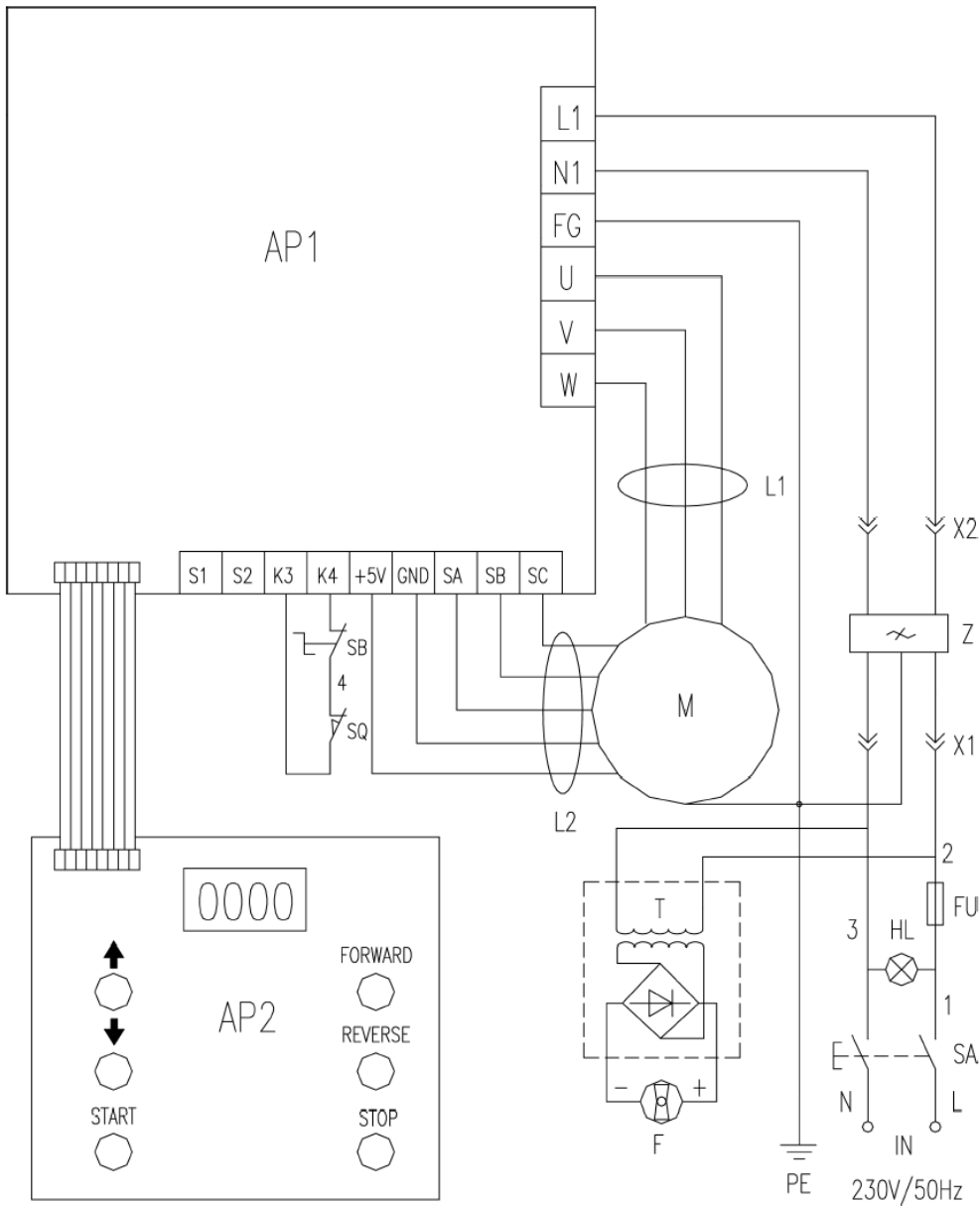
Parts List For BD-8 Metal Lathe

Part	Description	Size	Qty
BD8-284	finding screw		1
BD8-285	active handle block		1
BD8-286	handle shank		1
BD8-287	long handle sleeve	M8x40	2
BD8-288	apron bottom cover		1
BD8-289	Compression spring	0.6x3.5x12	1
BD8-290	steel ball	5	2
BD8-291	limit flange sleeve		1
BD8-292	shifting knob		1
BD8-293	check ring	12	2
BD8-294	shifting arm		1
BD8-295	screw	M4x6	3
BD8-296	screw	M4x8	3
BD8-297	shifting block		1
BD8-298	key	3x8	1
BD8-299	cross feeding lable		1
BD8-300	gib strip		1
BD8-301	half nut		1
BD8-302	pin	3x18	2
BD8-303	pin	5x12	1
BD8-304	shifting dial		1
BD8-305	lock wheel		1
BD8-306	shaft VII		1
BD8-307	finding flange sleeve		1
BD8-308	screw	M6x6	1
BD8-309	handle seat I		1
BD8-310	bolt		1
BD8-311	lable		1
BD8-312	worm wheel		1
BD8-313	shaft VI sleeve I		1
BD8-314	key	3x28	1
BD8-315	shaft VI sleeve II		1
BD8-316	H/L gear		1
BD8-317	shaft VI		1
BD8-318	shaft III H/L gear		1
BD8-319	spacer		1
BD8-320	shaft III gear		1
BD8-321	shaft III		1
BD8-322	screw	M4x14	1
BD8-323	dial		1
BD8-324	meshing gear of wheel		1
BD8-325	nut	M8	1
BD8-326	handle		1
BD8-327	screw	M8x55	1
BD8-328	handle wheel		1
BD8-329	inner gear sets		1
BD8-330	protecting sleeve		1
BD8-331	screw	M4x12	2
50000916	3-jaw chuck dia 100mm w flange (option)		

Parts List For BD-8 Metal Lathe

Part	Description	Size	Qty
BD8-332	Change gear (option)	85 teeth	
BD8-333	Change gear (option)	87 teeth	
BD8-334	Change gear (option)	90 teeth	
BD8-335	Change gear (option)	94 teeth	
BD8-336	Change gear	35 teeth	1
BD8-337	Change gear	40 teeth	1
BD8-338	Change gear	45 teeth	1
BD8-339	Change gear	49 teeth	1
BD8-340	Change gear	55 teeth	1
BD8-341	Change gear	56 teeth	1
BD8-342	Change gear	50 teeth	2
BD8-343	Change gear	70 teeth	1
BD8-344	Change gear	80 teeth	1
BD8-345	Change gear	100 teeth	2
BD8-346	Change gear	127 teeth	1

BD-8.....5000085M
~230V/ 50-60Hz



	meaning of symbol	Bedeutung der Zeichen	interprétation
AP1	main drive-main circuit board	Hauptantrieb Leistungsplatiner	Vitesse variable, circuit principal
AP2	Circuit board with DRO and control-buttons	Platine mit Digitalanzeige und Steuertasten	Circuit affichage numérique et bouton de réglage
T	Transformer with rectifier	Transformator mit Gleichrichter	Transformateur et rectifier
HL	Green power on light	Grüne Netzkontrolllampe	Lampe d'indication vert
M	main motor	Hauptmotor	moteur principal
FU	fuse	Sicherung	fusible
SQ	limit switch for chuck guard	Futterschutz Positionsendschalter	Micro pour protecteur de mandrin
SA	Power On switch	Hauptschalter	Interrupteur principal
SB	emergency stop switch	Not-Aus Schalter	arrêt d'urgence
Z	EMC Filter	EMV-Filter	IME-Filtre
F	Small fan	Kleiner Ventilator	Petit ventilateur