

JET

HVBS-712K Metal Working Bandsaw

414459 M 230/50/1

414459 T 400/50/3

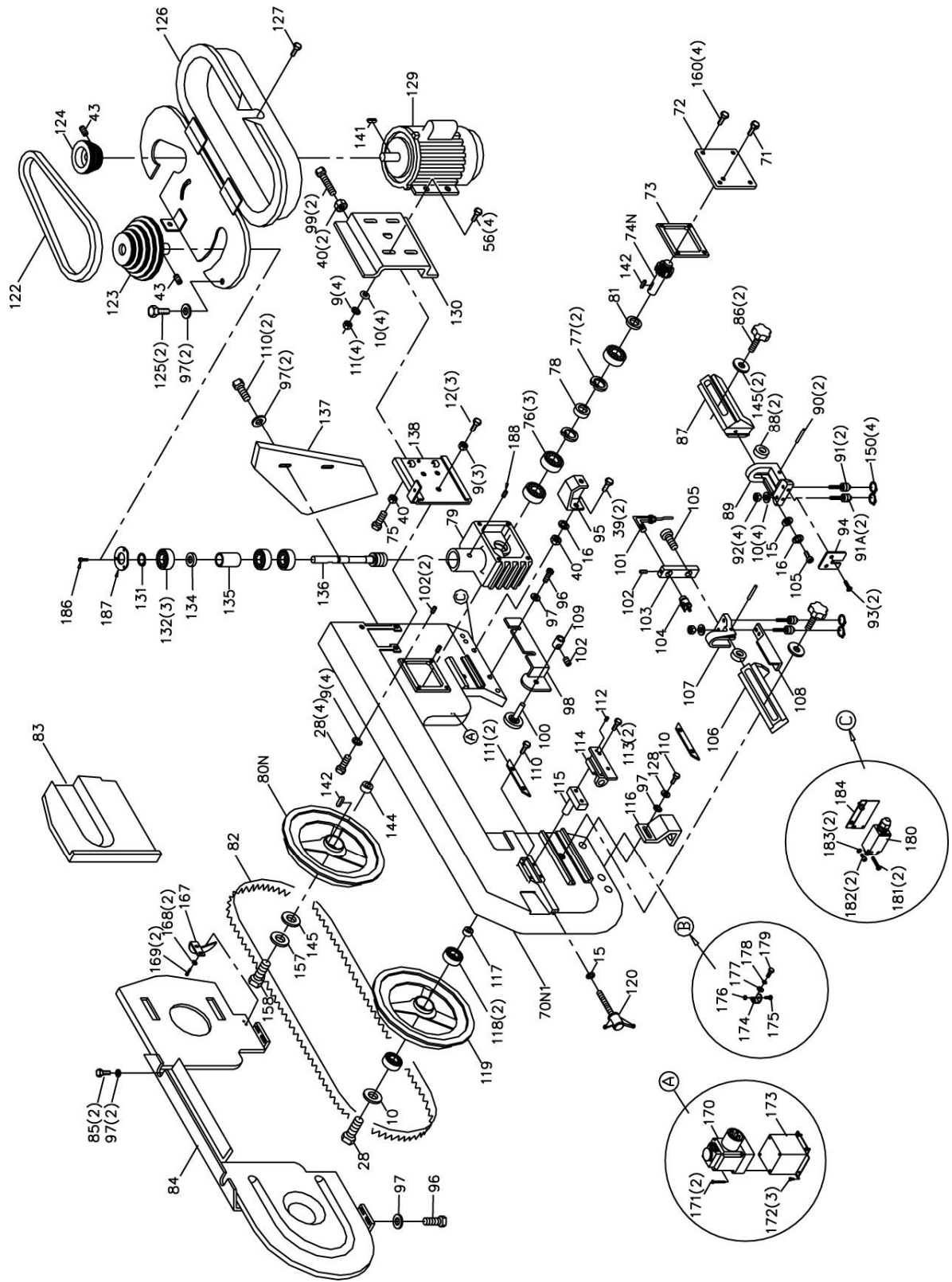
PARTS LIST ERSATZTEILLISTE LISTE DE PIECES

WMH Tool Group AG
Bahnstrasse 24, CH – 8603 Schwerzenbach
www.wmhtoolgroup.ch; info@wmhtoolgroup.ch
Tel +41 (0) 44 806 47 48
Fax +41 (0) 44 806 47 58



P-414459 M/T 02/08

Bow Breakdown for the HVBS-712K



Parts List For The HVBS-712K Bandsaw

Index No.	Part No.	Description	Size	Qty.
1	HVBS7MW-1	Coolant Pan		1
2	HVBS7MW-2	Base Leg (left)		1
3	HVBS7MW-3	Base Leg (right)		1
4	HVBS7MW-4	Skirt		1
5	HVBS7MW-5	Shelf		1
8	TS-0051031	Hex Cap Bolt	5/16x3/4	10
9	TS-0720081	Lock Washer	5/16	27
10	TS-0680031	Flat Washer	5/16	32
11	TS-0561021	Hex Nut	5/16	27
12	TS-0051011	Hex Cap Bolt	5/16x1/2	9
13N	HVBS7MW-13N	Cylinder Assembly		1
	HVBS7MW-13-RK	Cylinder Repair Kit (not shown)		1
14	TS-150506	Hex Socket Cap Screw **	M10x40	1
15	TS-0680041	Flat Washer **	3/8	4
16	TS-0720091	Lock Washer **	3/8	10
17	TS-154007	Hex Nut **	M10	1
18	TS-0060051	Hex Cap Bolt **	3/8x1	2
19	HVBS7MW-19	Support Rod **		1
20	TS-0050011	Hex Cap Bolt **	1/4x1/2	1
21	HVBS7MW-21	Bottom Support **		1
22	TS-0680081	Flat Washer	5/8	4
23	HVBS7MW-23	Wheel	5"	4
24	HVBS7MW-24	Wheel Shaft		2
25	HVBS7MW-25	Split Pin		4
26	HVBS7MW-26E	Power Cord	1PH	1
	HVBS7MW-26AE	Power Cord	3PH	1
27	HVBS7MW-27	Table		1
28	TS-0081051	Hex Cap Bolt	5/16x1	10
29	HVBS7MW-29	Filter Assembly		1
32	HVBS7MW-32	Wheel Handle		1
33	HVBS7MW-33	Key	5x20	1
34	HVBS7MW-34	Lead Screw		1
35	HVBS7MW-35	Nut Seat		1
36	HVBS7MW-36	Strain Relief Assembly		1
37	HVBS7MW-37	Support Plate		1
38	HVBS7MW-38	Stop Screw		1
39	TS-0060061	Hex Cap Bolt **	3/8x1-1/4	4
40	TS-0561031	Nut **	3/8	8
41	HVBS7MW-41	90° Support		1
42	TS-0060071	Hex Cap Bolt	3/8x1-1/2	4
43	TS-0270031	Set Screw	5/16x3/8	4
44	HVBS7MW-44	Thumb Screw		1
45	HVBS7MW-45	Stop Block		1
46	HVBS7MW-46	Stop Rod		1
47	TS-0561031	Hex Nut	1/2	2
48	TS-0680061	Flat Washer	1/2	4
49	TS-026702	Set Screw	1/4x1/4	2
50	HVBS7MW-50	Support Shaft		1
51N	HVBS7MW-51N	Pivot Arm		1
52	TS-0720091	Lock Washer	3/8	2

53.....	HVBS7MW-53	Spring		1
Index	Part			
No.	No.	Description	Size	Qty.
54.....	HVBS7MW-54	Spring Adjusting Rod		1
55.....	HVBS7MW-55	Spring Bracket		1
56.....	TS-0051061	Hex Cap Bolt	5/16x1-1/2	5
57.....	HVBS7MW-57	Vise Jaw (left)		1
58.....	HVBS7MW-58	Vise Jaw (right)		1
59N.....	HVBS7MW-59N	Scale		1
60.....	HVBS7MW-60	Arm Support Plate		1
61.....	TS-020908	Hex Socket Cap Screw	3/8x1-3/4	1
62.....	HVBS7MW-62	Hose		1
63.....	HVBS7MW-63E	Pump	230V/1Ph/50Hz	1
.....	HVBS7MW-63AE	Pump	400V/3Ph/50Hz	1
63-1	HVBS7MW-63-1A	Plate		1
64.....	TS-0050011	Hex Cap Bolt	1/4x1/2	2
65.....	HVBS7MW-65	Tank Cover		1
66N.....	HVBS7MW-66N	New Coolant Tank		1
66-1	HVBS7MW-66-1N	Plastic Funnel		1
68.....	HVBS7MW-68	Hose Clamp		1
69.....	HVBS7MW-69	Hose		1
70N1.....	HVBS7MW-70N1	Saw Bow(JET Mark)		1
71.....	HVBS7MW-71	Vent Plug *		1
72.....	HVBS7MW-72	Gear Box Cover *		1
73.....	HVBS7MW-73	Gear Box Gasket *		1
74N.....	HVBS7MW-74N	Worm Gear *		1
75.....	TS-051061	Hex Cap Bolt *	5/16x1-1/4	1
76.....	BB-6005Z	Ball Bearing *		3
77.....	HVBS7MW-77	C-Ring *	R-47	2
78.....	HVBS7MW-78	Oil Seal *		1
79.....	HVBS7MW-79	Gear Box *		1
80N.....	HVBS7MW-80N	Blade Wheel (right)		1
81.....	HVBS7MW-81	Worm Bushing *		1
82.....	HVBS7MW-82	Bi-Metal Blade		1
83.....	HVBS7MW-83	Wheel Cover		1
84.....	HVBS7MW-84	Rear Wheel Cover		1
85.....	HVBS7MW-85E	Hex Cap Bolt	1/4 x 5/8	2
86.....	HVBS7MW-86	Lock Knob		2
87.....	HVBS7MW-87	Adjustable Bracket (right)		1
88.....	BB-608ZZ	Ball Bearing		2
89.....	HVBS7MW-89	Adjustable Blade Seat (right)		1
90.....	HVBS7MW-90	Bearing Pin		2
91.....	HVBS7MW-91	Eccentric Shaft Assembly (outside)		2
91A	HVBS7MW-91A	Center Shaft Assembly (inside)		2
.....	BB-608ZZ	Ball Bearing (not shown)		8
.....	HVBS7MW-91-2	Eccentric Shaft (outside)(not shown)		2
.....	HVBS7MW-91A-2	Center Shaft (inside)		2
.....	HVBS7MW-91-3	C-Ring (not shown)		4
92.....	TS-0561031	Hex Nut	3/8	4
93.....	TS-0813021	Hex Cap Bolt	1/4x3/8	2
94.....	HVBS7MW-94	Vertical Cutting Plate		1
95.....	HVBS7MW-95	Top Support **		1
96.....	TS-0813032	Round Head Screw	1/4x1/2	4
97.....	TS-0680021	Flat Washer	1/4	9
98.....	HVBS7MW-98	Brush Holder		1

Index No.	Part No.	Description	Size	Qty.
99	TS-0060111	Hex Cap Bolt	3/8x2-1/2	2
100	HVBS7MW-100	Brush		1
101	HVBS7MW-101	Nozzle Cock		1
102	TS-0267021	Set Screw	1/4x1/4	3
103	HVBS7MW-103	Nozzle Cock Support		1
104	HVBS7MW-104	Valve		1
105	TS-0208071	Hex Socket Cap Screw	5/16x1-1/4	2
106	HVBS7MW-106	Adjustable Bracket (left)		1
107	HVBS7MW-107	Adjustable Blade Seat (left)		1
108	HVBS7MW-108	Blade Guard		1
109	HVBS7MW-109	Brush Support		1
110	TS-0050011	Hex Cap Bolt	1/4x1/2	7
111	HVBS7MW-111	Guide Plate		2
112	HVBS7MW-112	Set Screw	5/16x3/4	1
113	TS-0051071	Hex Cap Bolt	5/16x1-1/2	2
114	HVBS7MW-114	Blade Tension Block		1
115	HVBS7MW-115	Sliding Draw Block		1
116	HVBS7MW-116	Switch Cut-Off Trip		1
117	HVBS7MW-117	Bearing Bushing		1
118	BB-6203Z	Ball Bearing		2
119	HVBS7MW-119	Blade Wheel (left)		1
120	HVBS7MW-120	Blade Tension Handwheel		1
122	VB-3V270	V-Belt		1
123	HVBS7MW-123	Worm Pulley		1
124	HVBS7MW-124	Motor Pulley		1
125	HVBS7MW-125	Hex Head Screw	1/4x3/8	2
126	HVBS7MW-126	Pulley Cover		1
127	HVBS7MW-127E	Hex Cap Bolt	1/4x5/8	1
128	TS-0720071	Lock Washer	1/4	1
129	HVBS7MW-129E	Motor	230V/1Ph/50Hz	1
	HVBS7MW-129AE	Motor	400V/3Ph/50Hz	1
	HVBS7MW-129A	Motor Fan (not shown)		1
	HVBS7MW-129B	Motor Fan Cover (not shown)		1
130	HVBS7MW-130	Motor Mount Plate		1
131	HVBS7MW-131	C-Ring *	S-17	1
132	BB-6003Z	Ball Bearing *		3
134	HVBS7MW-134	Oil Seal *		1
135	HVBS7MW-135	Bearing Bushing *		1
136	HVBS7MW-136	Worm Shaft *		1
137	HVBS7MW-137	Support Plate		1
138	HVBS7MW-138	Motor Support Plate		1
139	HVBS7MW-139	Hex Cap Bolt	1/2x1-1/4	1
139A	HVBS7MW-139A	Hex Cap Bolt	1/2x1-3/16	1
140	TS-0720111	Lock Washer	1/2	2
141	HVBS7MW-141	Key	5x20	1
142	HVBS7MW-142	Key *	6x20	2
143	HVBS7MW-143	Hose Clamp		3
143A	HVBS7MW-143A	Round Head Screw	3/16 x 3/8	3
144	HVBS7MW-144	Bearing Bushing		1
145	HVBS7MW-145	Flat Washer	3/8 x 1	4
146	HVBS7MW-146	Cross Screw	1/8 x 1/4	2
147	HVBS7MW-147	Flat Washer	1/8	2
150	HVBS7MW-150	E-Ring	E-7	2

151.....HVBS7MW-151 Support Screw..... 1

Index No.	Part No.	Description	Size	Qty.
152.....	HVBS7MW-152	Bracket.....		1
.....	HVBS7MW-152A	Arm Stop Assembly CP.....		1
153.....	HVBS7MW-153	Spring.....		1
154.....	HVBS7MW-154	Spring Cap.....		1
155.....	HVBS7MW-155	Hex Socket Cap Screw.....	3/16 x 1/2	1
156.....	TS-0561031	Nut.....	3/8	1
157.....	TS-0710091	Lock Washer.....	3/8	2
158.....	TS-0060051	Hex Cap Bolt.....	3/8 x 1	1
159.....	HVBS7MW-159	Hex Cap Bolt.....	5/16 x 3/4	1
160.....	HVBS7MW-160	Hex Cross Head Bolt w/ Lock Washer*	1/4 x 5/8	4
.....	HVBS7MW-GB	Gear Box Assembly (not shown)		1
161.....	HVBS7MW-161E	Limit Switch Seat.....		1
162.....	HVBS7MW-162E	Round Hd. Screw.....	3/16 x 3/8	2
163.....	HVBS7MW-163E	Limit Switch.....		1
164.....	HVBS7MW-164E	Round Hd. Screw.....	3/16 x 30	2
165.....	HVBS7MW-165E	Cover.....		1
166.....	HVBS7MW-166E	Round Hd. Screw.....	3/16 x 3/8	2
167.....	HVBS7MW-167E	Limit Switch Stop Plate		1
168.....	HVBS7MW-168E	Spring Washer	3/16	2
169.....	HVBS7MW-169E	Hex. Soc. Screw	3/16 x 3/8	2
170.....	HVBS7MW-170E	Magnetic Switch	1PH	1
.....	HVBS7MW-170AE	Magnetic Switch	3PH	1
171.....	HVBS7MW-171E	Round Hd. Screw.....	3/16 x 45	2
172.....	HVBS7MW-172E	Round Hd. Screw.....	3/16 x 3/8	3
173.....	HVBS7MW-173E	Support Plate.....		1
174.....	HVBS7MW-174E	Limit Switch Rack.....		1
175.....	HVBS7MW-175E	Hex. Hd. Screw.....	1/4 x 1/2	1
176.....	HVBS7MW-176E	Nut.....	1/4	1
177.....	HVBS7MW-177E	Washer.....	1/4	1
178.....	HVBS7MW-178E	Spring Washer	1/4	1
179.....	HVBS7MW-179E	Hex. Hd. Screw.....	1/4 x 1/2	1
180.....	HVBS7MW-180E	Limit Switch.....		1
181.....	HVBS7MW-181E	Round Hd. Screw.....	3/16 x 30	2
182.....	HVBS7MW-182E	Hex. Soc. Screw	3/16 x 3/8	2
183.....	HVBS7MW-183E	Spring Washer	3/16	2
184.....	HVBS7MW-184E	Limit Switch Bracket.....		1
185.....	HVBS7MW-185E	Round HD. Screw	3/16 x 5/8	2
186.....	TS-0206021	Socket Head Cap Screw*	3/16x1/2	3
187.....	HVBS7MW-187	Block Plate*		1
188.....	TS-0271032	Socket Set Screw*	3/8x3/8	1

* included in HVBS7MW-GB Gear Box Assembly

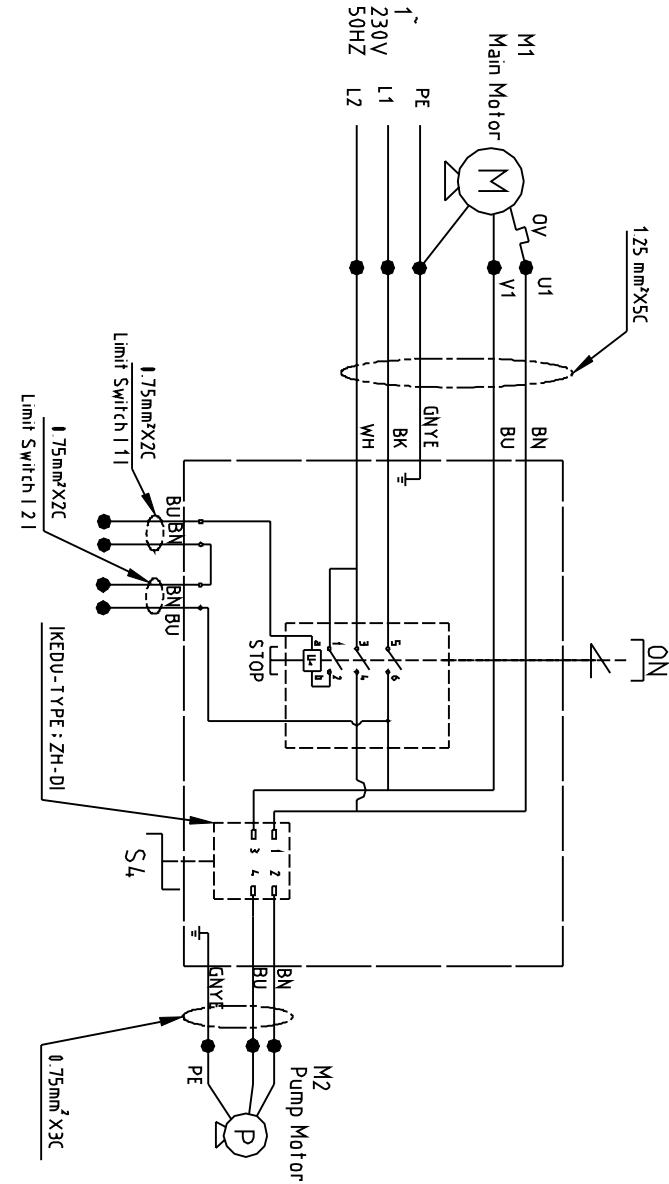
** included in HVBS7MW-13-RK Cylinder Repair Kit

HVBS-712K 414459M

	colour of strands	Litzenfarben	couleur des cordons
BK	black	schwarz	noir
WH	white	weiß	blanc
BU	blue	blau	bleu
YE	yellow	gelb	jaune
RD	red	rot	rouge
BN	brown	braun	brun
GY	grey	grau	gris
GNYE	green-yellow	grün-gelb	vert-jaune
OG	orange	orange	orange
VT	violet	violett	violet

	meaning of symbol	Bedeutung der Zeichen	interprétation
M	motor	Motor	moteur
S	switch	Schalter	interrupteur
C	condenser	Kondensator	condensateur
E	electronic unit	Elektronik Einheit	unité électronique
F	fuse	Sicherung	fusible
RS	reversing switch	Drehrichtungsschalter	commu. droite/gauche
CS	centrifugal switch	Fliehkraftschalter	déclencheur centrifuge
OL	overload cut-off	Überlastschuttschalter	déclencheur surcharge
LS	limit switch	Positionsendschalter	micro

230/50/1



HVBS-712K 414459T

	colour of strands	Litzenfarben	couleur des cordons
BK	black	schwarz	noir
WH	white	weiß	blanc
BU	blue	blau	bleu
YE	yellow	gelb	jaune
RD	red	rot	rouge
BN	brown	braun	brun
GY	grey	grau	gris
GNYE	green-yellow	grün-gelb	vert-jaune
OG	orange	orange	orange
VT	violet	violett	violet

	meaning of symbol	Bedeutung der Zeichen	interprétation
M	motor	Motor	moteur
S	switch	Schalter	interrupteur
C	condenser	Kondensator	condensateur
E	electronic unit	Elektronik Einheit	unité électronique
F	fuse	Sicherung	fusible
RS	reversing switch	Drehrichtungsschalter	commu. droite/gauche
CS	centrifugal switch	Fliehkraftschalter	déclencheur centrifuge
OL	overload cut-off	Überlastschuttschalter	déclencheur surcharge
LS	limit switch	Positionsendschalter	micro

400/50/3

