

JET

JBG-10A

BENCH GRINDER

577103M.... 230/50/1

577103T.... 400/50/3

PARTS LIST

Walter Meier (Tool) AG
Tämperlistrasse 5
CH-8117 Fällanden
Switzerland
Phone +41 44 806 47 48
Fax +41 44 806 47 58
jetinfo.eu@waltermeier.com
www.jettools.com



P-577103M/T 2010-06-25

Parts and Assembly

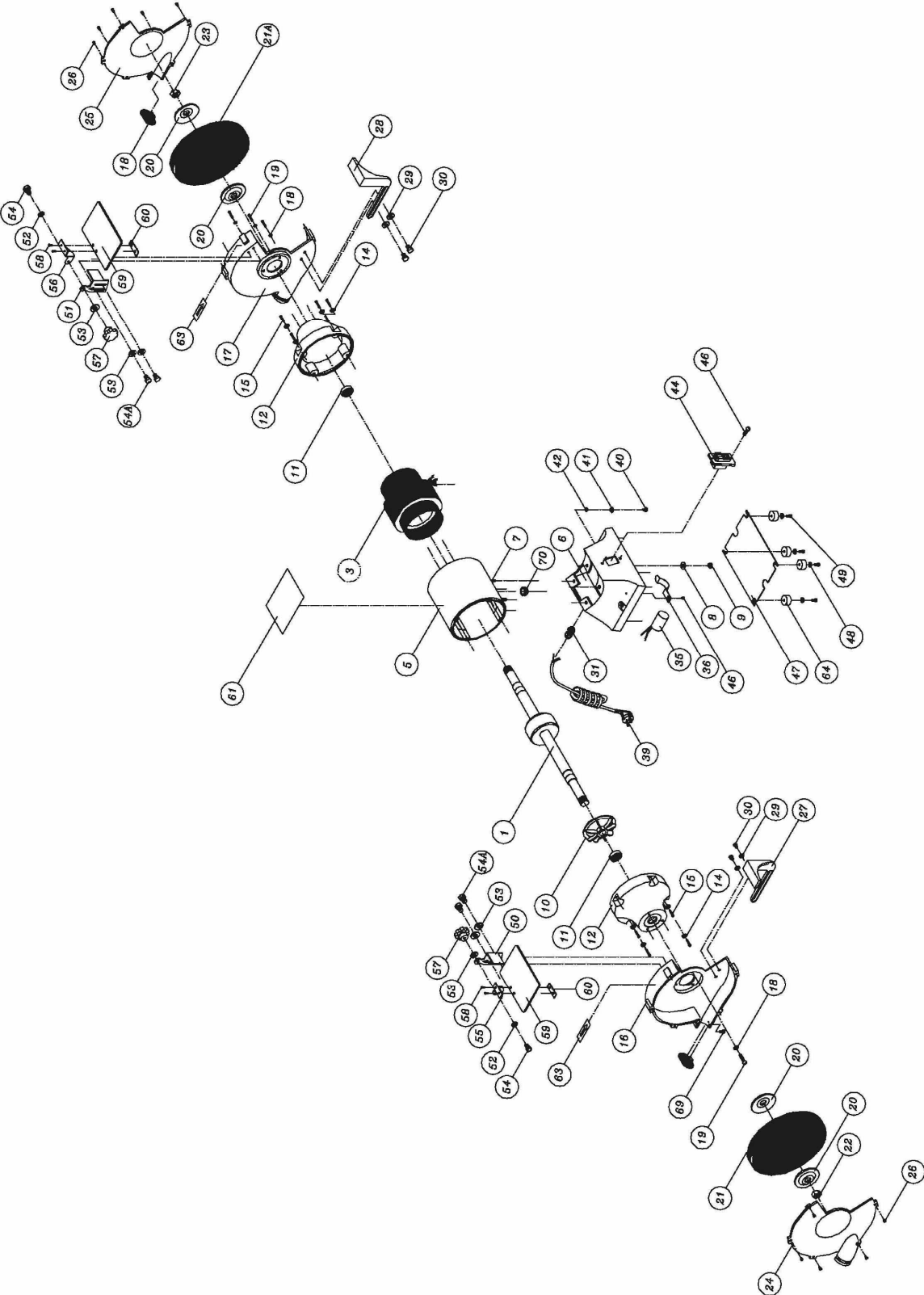
Parts List

Index No	Part No	Description	Size	Qty
1.....	JBG10A-02PE.....	Shaft and Rotor Assy.....	1Ph.....	1
1.....	JBG10A-02PAE.....	Shaft and Rotor Assy.....	3Ph.....	1
3.....	JBG10A-03E.....	Stator Assy.....	1Ph.....	1
.....	JBG10A-03AE.....	Stator Assy.....	3Ph.....	1
5.....	JBG10A-05.....	Motor Housing.....		1
6.....	JBG10A-06E.....	Base.....	1Ph.....	1
.....	JBG10A-06AE.....	Base.....	3Ph.....	1
7.....	JBG10A-07.....	Cross Screw.....	5/16"-18 x 1".....	4
8.....	TS-0720081.....	Lock Washer.....	5/16".....	4
9.....	TS-0561021.....	Hex Nut.....	5/16"-18.....	4
10.....	JBG10A-10.....	Fan.....		1
11.....	BB-6206ZZ.....	Ball Bearing (JBG-10A).....	6206ZZ.....	2
12.....	JBG10A-12.....	Cover.....		2
14.....	TS-0720071.....	Lock Washer.....	1/4".....	8
15.....	JBG10A-15.....	Screw.....	1/4"-20 x 7/8".....	8
16.....	JBG10A-16E.....	Inner Wheel Guard - left.....		1
17.....	JBG10A-17E.....	Inner Wheel Guard - right.....		1
18.....	TS-0720081.....	Lock Washer.....	5/16".....	8
19.....	JBG10A-19.....	Cross Screw.....	5/16"-18x3/4".....	8
20.....	JBG10A-20.....	Wheel Flange.....	1 I.D.....	4
21.....	576228.....	Grinding Wheel.....	10", 46G.....	1
21A.....	576226.....	Grinding Wheel.....	10", 24G.....	1
22.....	JBG10A-22.....	Nut - left.....		1
23.....	JBG10A-23.....	Nut - right.....		1
24.....	JBG10A-24.....	Outer Wheel Guard - left.....		1
25.....	JBG10A-25.....	Outer Wheel Guard - right.....		1
26.....	JBG6A-26.....	Cross Screw.....	1/4"-20x1/2".....	10
27.....	JBG10A-27.....	Tool Rest - left.....		1
28.....	JBG10A-28.....	Tool Rest - right.....		1
29.....	TS-0680031.....	Flat Washer.....	5/16".....	4
30.....	TS-0051031.....	Hex Cap Bolt.....	5/16"-18x3/4".....	4
31.....	JBG10A-31E.....	Clamp.....	PG11.....	1
.....	JBG10A-31AE.....	Clamp.....	PG13.5.....	1
35.....	JBG10A-35.....	Condenser (Only for 1Ph).....	400V, 40uf.....	1
36.....	JBG10A-36E.....	Bracket (Only for 1Ph).....		1
39.....	JBG10A-39E.....	Power Cord.....	1Ph.....	1
.....	JBG10A-39AE.....	Power Cord.....	3Ph.....	1
42.....	JBG10A-42.....	Clip.....		1
44.....	JBG10A-44E.....	Switch.....	1Ph.....	1
.....	JBG10A-44AE.....	Switch.....	3Ph.....	1
46.....	TS-081C032.....	Screw.....	#10-24x1/2".....	3
47.....	JBG10A-47.....	Base Plate.....		1
48.....	TS-0680021.....	Flat Washer.....	1/4.....	4
49.....	JBG10A-49.....	Cross Screw.....	1/4"-20x1/2".....	4
50.....	JBG10A-50.....	Eye Shield Plate - left.....		1
51.....	JBG10A-51.....	Eye Shield Plate - right.....		1
52.....	TS-0720071.....	Lock Washer.....	1/4.....	2
53.....	TS-0680021.....	Flat Washer.....	1/4.....	6
54.....	JBG10A-54.....	Screw.....	1/4-20x1/2.....	2
54A.....	JBG6A-54.....	Cross Screw.....	1/4"-20x3/8".....	4
55.....	JBG10A-55.....	Eye Shield Plate - left.....		1
56.....	JBG10A-56.....	Eye Shield Plate - right.....		1
57.....	JBG6A-57.....	Lock Knob.....	1/4".....	2

Parts List

Index No	Part No	Description	Size	Qty
58	JBG6A-58	Cross Screw	3/16"x3/8"	4
59	JBG10A-59	Eye Shield		2
	JBG10A-59A	Eye Shield Assembly		1
60	JBG10A-60	Eye Shield Bracket Plate		2
61	JBG10A-61E	Identification Label	1Ph	1
	JBG10A-61AE	Identification Label	3Ph	1
63	JBG6A-63	Direction Label		2
64	JBG10A-64	Rubber Foot		4
67	JBG10A-67E	Safety Guard		1
68	JBG10A-68E	Safety Guard		1
69	JBG10A-69E	Cross Screw	#8-32x3/8"	4
70	JBG10A-70E	Cord Protector		1

Assembly Drawing

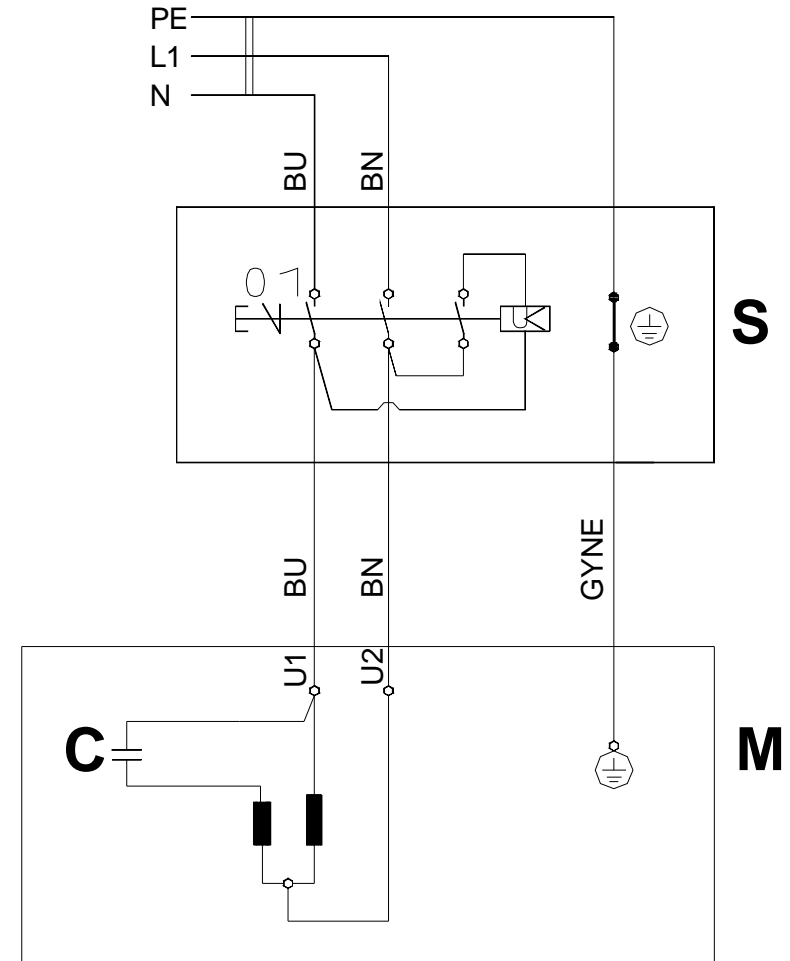


**JBG-10A
577103M**

230/50/1

	colour of strands	Litzenfarben	couleur des cordons
BK	black	schwarz	noir
WH	white	weiß	blanc
BU	blue	blau	bleu
YE	yellow	gelb	jaune
RD	red	rot	rouge
BN	brown	braun	brun
GY	grey	grau	gris
GNYE	green-yellow	grün-gelb	vert-jaune
OG	orange	orange	orange
VT	violet	violett	violet

	meaning of symbol	Bedeutung der Zeichen	interprétation
M	motor	Motor	moteur
S	switch	Schalter	interrupteur
C	condenser	Kondensator	condensateur
E	electronic unit	Elektronik Einheit	unité électronique
F	fuse	Sicherung	fusible
RS	reversing switch	Drehrichtungsschalter	commu. droite/gauche
CS	centrifugal switch	Fliehkraftschalter	déclencheur centrifuge
OL	overload cut-off	Überlastschutzschalter	déclencheur surcharge
LS	limit switch	Positionsendschalter	micro



JBG-10A
577103T

	colour of strands	Litzenfarben	couleur des cordons
BK	black	schwarz	noir
WH	white	weiß	blanc
BU	blue	blau	bleu
YE	yellow	gelb	jaune
RD	red	rot	rouge
BN	brown	braun	brun
GY	grey	grau	gris
GNYE	green-yellow	grün-gelb	vert-jaune
OG	orange	orange	orange
VT	violet	violett	violet

	meaning of symbol	Bedeutung der Zeichen	interprétation
M	motor	Motor	moteur
S	switch	Schalter	interrupteur
C	condenser	Kondensator	condensateur
E	electronic unit	Elektronik Einheit	unité électronique
F	fuse	Sicherung	fusible
RS	reversing switch	Drehrichtungsschalter	commu. droite/gauche
CS	centrifugal switch	Fliehkraftschalter	déclencheur centrifuge
OL	overload cut-off	Überlastschuttschalter	déclencheur surcharge
LS	limit switch	Positionsendschalter	micro

400/50/3

