

GB - ENGLISH

Operating Instructions

Dear Customer,

Many thanks for the confidence you have shown in us with the purchase of your new JET-machine. This manual has been prepared for the owner and operators of a JET **JMD-1 milling drilling centre** to promote safety during installation, operation and maintenance procedures. Please read and understand the information contained in these operating instructions and the accompanying documents. To obtain maximum life and efficiency from your machine, and to use the machine safely, read this manual thoroughly and follow instructions carefully.

...Table of Contents

1. Declaration of conformity

2. Warranty

3. Safety

Authorized use
General safety notes
Remaining hazards

4. Machine specifications

Technical data
Noise emission
Contents of delivery
Machine description

5. Transport and start up

Transport and installation
Assembly
Mains connection
Initial lubrication
Starting operation

6. Machine operation

Spindle speed selection

7. Setup and adjustments

Arbour replacement
Engaging the fine feed wheel
Column tilting

8. Maintenance and inspection

Weekly lubrication
Slide adjustments
Lead screw nut adjustment

9. Trouble shooting

10. Environmental protection

11. Available accessories

1. Declaration of conformity

On our own responsibility we hereby declare that this product complies with the regulations* listed on page 2. Designed in consideration with the standards**.

2. Warranty

The Seller guarantees that the supplied product is free from material defects and manufacturing faults. This warranty does not cover any defects which are caused, either directly or indirectly, by incorrect use, carelessness, accidental damage, repair, inadequate maintenance or cleaning and normal wear and tear.

Guarantee and/or warranty claims must be made within twelve months from the date of purchase (date of invoice). Any further claims shall be excluded.

This warranty includes all guarantee obligations of the Seller and replaces all previous declarations and agreements concerning warranties.

The warranty period is valid for eight hours of daily use. If this is exceeded, the warranty period shall be reduced in proportion to the excess use, but to no less than three months.

Returning rejected goods requires the prior express consent of the Seller and is at the Buyer's risk and expense.

Further warranty details can be found in the General Terms and Conditions (GTC). The GTC can be viewed at www.jettools.com or can be sent by post upon request.

The Seller reserves the right to make changes to the product and accessories at any time.

3. Safety

3.1 Authorized use

This milling drilling centre is designed for milling and drilling machinable metal and plastic materials only. Machining of other materials is not permitted and may be carried out in specific cases only after consulting with the manufacturer.

Never cut magnesium- high danger to fire!

For machining the workpiece must allow to safely be loaded and clamped.

The proper use also includes compliance with the operating and maintenance instructions given in this manual.

The machine must be operated only by persons familiar with its operation and maintenance and who are familiar with its hazards.

The required minimum age must be observed.

The machine must only be used in a technically perfect condition.

When working on the machine, all safety mechanisms and covers must be mounted.

In addition to the safety requirements contained in these operating instructions and your country's applicable regulations, you should observe the generally recognized technical rules concerning the operation of metalworking machines.

Any other use exceeds authorization. In the event of unauthorized use of the machine, the manufacturer renounces all liability and the responsibility is transferred exclusively to the operator.

3.2 General safety notes

Metalworking machines can be dangerous if not used properly. Therefore the appropriate general technical rules as well as the following notes must be observed.

Read and understand the entire instruction manual before attempting assembly or operation.

Keep this operating instruction close by the machine, protected from dirt and humidity, and pass it over to the new owner if you part with the tool.

No changes to the machine may be made.

Daily inspect the function and existence of the safety appliances before you start the machine.

Do not attempt operation in this case, protect the machine by unplugging the power cord.

Remove all loose clothing and confine long hair.

Before operating the machine, remove tie, rings, watches, other jewellery, and roll up sleeves above the elbows.

Wear safety shoes; never wear leisure shoes or sandals.

Always wear the approved working outfit

- safety goggles
- ear protection.

Do **not** wear gloves.

Install the machine so that there is sufficient space for safe operation and work piece handling.

Keep work area well lighted.

The machine is designed to operate in closed rooms and must be bolted to the cabinet stand or a solid work bench.

Make sure the machine cannot tip.

Make sure that the power cord does not impede work and cause people to trip.

Keep the floor around the machine clean and free of scrap material, oil and grease.

Stay alert!

Give your work undivided attention. Use common sense. Do not operate the machine when you are tired.

Keep an ergonomic body position. Maintain a balanced stance at all times.

Do not operate the machine under the influence of drugs, alcohol or any medication. Be aware that medication can change your behaviour.

Never reach into the machine while it is operating or running down.

Never leave a running machine unattended.

Before you leave the workplace switch off the machine.

Keep children and visitors a safe distance from the work area.

Do not operate the electric tool near inflammable liquids or gases. Observe the fire fighting and fire alert options, for example the fire extinguisher operation and place.

Do not use the machine in a dump environment and do not expose it to rain.

Work only with well sharpened tools.

Always close the chuck guard and pulley cover before you start the machine.

Remove the chuck key and wrenches before machine operation.

Specifications regarding the maximum or minimum size of the work piece must be observed.

Do not remove chips and work piece parts until the machine is at a standstill.

Do not stand on the machine.

Connection and repair work on the electrical installation may be carried out by a qualified electrician only.

Have a damaged or worn power cord replaced immediately.

Never place your fingers in a position where they could contact any rotating tool, chuck or cutting chips.

Secure work piece against rotation. Use fixtures, clamps or a vice to hold the work piece. Never hold the work piece with your hands alone.

When using a vice, always fasten it to the table.

Never do any works "freehand" (hand-holding the work piece rather than supporting it).

Never move the head while the machine is running.

If a work piece overhangs the table such that it will fall or tip if not held, clamp it to the table or provide auxiliary support.

Check the safe clamping of the work piece before starting the machine.

Remove cutting chips with the aid of an appropriate chip hook when the machine is at a standstill only.

Never stop the rotating chuck or tool with your hands.

Measurements and adjustments may be carried out when the machine is at a standstill only.

Setup work may only be carried out after the machine is protected against accidental starting by pressing the emergency stop button.

Maintenance and repair work may only be carried out after the machine is protected against accidental starting by pulling the mains plug.

Do not use wire wheels or grinding wheels on this machine.

Disconnect the machine from the power source if not in use (pull mains plug).

The fuse may only be changed when the machine is disconnected from power source (pull mains plug).

3.3 Remaining hazards

When using the machine according to regulations some remaining hazards may still exist.

The rotating chuck, tool and cutting chips can cause injury.

Thrown and hot work pieces and cutting chips can lead to injury.

Chips, dust and noise can be health hazards. Be sure to wear personal protection gear such as safety goggles, dust mask and ear protection.

The use of incorrect mains supply or a damaged power cord can lead to injuries caused by electricity.

4. Machine specifications

4.1 Technical data

Drilling capacity St37	10mm
Tapping capacity St37	M6
Milling capacity of face mill	20mm
Milling capacity of end mill	10mm
Spindle to column	140mm
Distance table to spindle	max 210mm
Spindle taper	MT-2
Draw bar	M10
Spindle travel	30mm
Column tilt	45°L /45°R
Spindle speeds	100-1000rpm 200-2000rpm

Max travel X-axis	190mm
Max travel Y-axis	100mm
Table size	145 x 240mm
T-slots	3 8mm
Overall	550 x 450 x 630mm
Net weight	40 kg
Mains	230V ~1L/N/PE 50Hz
Output power	150W (0,2 HP) S1
Reference current	1 A
Extension cord (H07RN-F)	3x1,5mm ²
Installation fuse protection	10A

4.2 Noise emission

Acoustic pressure level
(according to EN ISO 11202):
Idling at maximum speed
LpA 79,4 dB (A)

The specified values are emission levels and are not necessarily to be seen as safe operating levels. As workplace conditions vary, this information is intended to allow the user to make a better estimation of the hazards and risks involved only.

4.3 Content of delivery

10mm drill chuck with arbour MT2
Draw bar M10
Drilling and milling guard
Operating tools
Operating manual
Spare parts list.

4.4 Machine Description

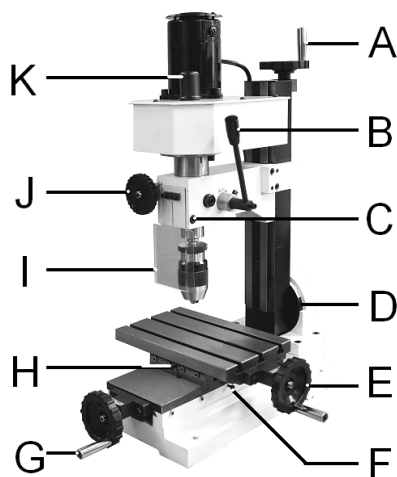


Fig 1

A....Z-axis hand wheel
B....Down feed handle
C.....Quill lock handle

D....Column tilt
E.....X-axis hand wheel
F....Y-axis slide lock
G....Y- axis hand wheel
H....X- axis slide lock
I.....Drill chuck guard
J..... Fine feed hand wheel
K..... Draw bar cover

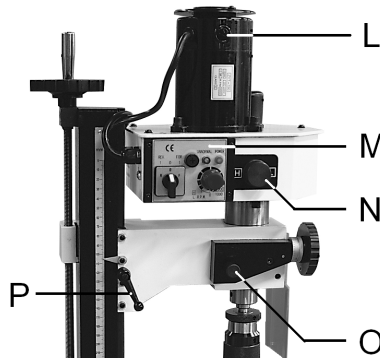


Fig 2

L....Motor brush
M....Spindle control panel
N....Gear select knob
O....Fine feed ON/OFF knob
P....Z-axis slide lock

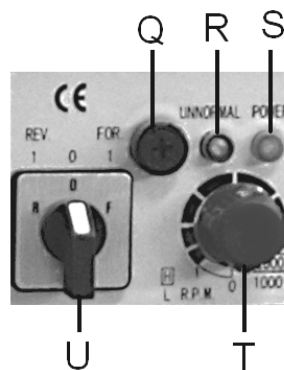


Fig 3

Q....Fuse
R....Overload and Not-ready lamp
S....Power indication lamp
T....Reset-Off / speed control knob
U....Rev / Power-OFF/ Fwd switch

5. Transport and start up

5.1 Transport and installation

The machine is designed to operate in closed rooms and must be bolted to the cabinet stand or a solid work bench.

Make sure the machine cannot tip!

For packing reasons the machine is not completely assembled.

5.2 Assembly

If you notice transport damage while unpacking, notify your supplier immediately. Do not operate the machine!

Dispose of the packing in an environmentally friendly manner.

Clean all rust protected surfaces with petroleum, diesel oil or a mild solvent.

Attach the crank handles to the hand wheels (A, E, G Fig 1).

5.3 Mains connection

Mains connection and any extension cords used must comply with applicable regulations.

The mains voltage must comply with the information on the machine licence plate.

The mains connection must have a 10 A surge-proof fuse.

Only use power cords marked H07RN-F.

Connections and repairs to the electrical equipment may only be carried out by qualified electricians.

Make sure the Rev / Power-Off/ Fwd switch (U, Fig 3) is in OFF position before you connect the machine to the power supply.

5.4 Initial lubrication

The machine must be serviced at all lubrication points before it is placed into service!
(see chapter 8 for lubrication)

5.5 Starting operation

Before starting the machine check the proper chucking.

Make sure the Rev / Power-OFF/ Fwd switch (U, Fig 4) is in OFF position before you connect the machine to the power supply.

The Power indication lamp (S, Fig 3) is illuminated when connected.

Use the Rev / Power-OFF/ Fwd switch (U, Fig 4) to select the spindle rotating direction and to energize the electrics.

Start the machine with the Reset-Off/ Speed-control knob (T).

Stop the machine by turning the knob (T) counter-clockwise until it clicks into Off position.

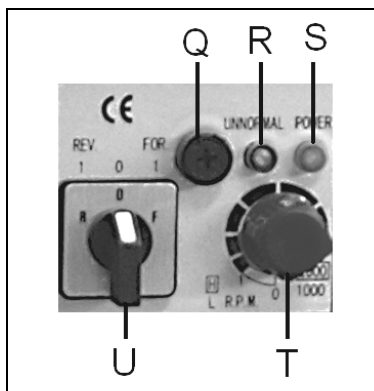


Fig 4

Disconnect the machine from the power source if not in use (pull mains plug).

Gear select knob:

With the gear select knob (N, Fig 2) two speed ranges can be chosen.

I.....100 – 1000 rpm for high torque

II.....200 – 2000 rpm for high speed

Warning

The gear select knob may not be operated while the machine is running.

Failure to comply may lead to damage of gear and electronic components.

Fuse protection:

The fuse (Q, Fig 4) protects the motor and electronic parts.

The fuse may only be changed when the machine is disconnected from power source (pull mains plug).

Fault lamp:

The fault lamp (R, Fig 4) indicates motor “overload” or “not ready” condition.

6. Machine operation

Warning:

Setup work may only be carried out after the machine is protected against accidental starting.

With pressed emergency stop button.

Never place your fingers in a position where they could contact any rotating tool, chuck or cutting chips.

Remove cutting chips with the aid of an appropriate chip hook when the machine is at a standstill only.

Never stop the rotating chuck or tool with your hands.

Never work without chuck guard.

Secure work piece to the table with clamps or a vice to prevent rotating with the drill bit.

When using a vice, always fasten it to the table.

Check the safe clamping of the work piece, chuck and tools before starting the machine.

Never do any works “freehand” (hand-holding the work piece rather than supporting it on the table).

Support long work pieces with helping roller stands.

Feed a drill bit into the material with only enough force to allow the drill bit to work.

Feeding too slowly may cause burning of the work piece or tool. Feeding too quickly may cause the motor to stop and/or the drill bit to break.

Do not use wire wheels or grinding wheels on this machine.

Never cut magnesium-high danger to fire!

Measurements and adjustments may be carried out when the machine is at a standstill only.

6.1 Spindle speeds selection

The correct spindle speed depends on the type of machining, the cutting diameter, the material to be machined and the cutting tool.

These are recommended max. speeds for a 10mm high speed steel (HSS) tool (e.g. drill bit).

Aluminium, brass	1500 RPM
Cast iron	1000 RPM

Mild steel	800 RPM
High carbon steel	600 RPM
Stainless steel	300 RPM

If a carbide (HM) tool is used about 5 times higher speeds can be chosen.

Generally speaking: the larger in relation the cutting diameter, the smaller the possible RPM.

For example:

Milling mild steel with an end mill of 20mm allows a speed of:

400 RPM max.	with HSS tool
2000 RPM max.	with carbide tool

Note:

Choose a low speed for tapping.

7. Setup and adjustments

Warning:

Setup and adjustment work may only be carried out after the machine is protected against accidental starting.

Disconnect from the power source!

7.1 Arbour replacement

Remove the draw bar cover (K, Fig 1).

Loosen the draw bar.

Loosen the drawbar 2 to max 3 full turns.

Tap the drawbar head with a rubber mallet to dislodge the tool taper.

7.2 Engaging the Fine Feed Wheel

To activate the fine feed hand wheel (J, Fig 1) press the ON/OFF-knob (O, Fig 2).

7.3 Tilting the column

To tilt the vertical column loosen the hex socket bolts (D, Fig 1).

The column can be tilted 45° to the left and 45° to the right.

8. Maintenance and inspection

General notes:

Maintenance, cleaning and repair work may only be carried out after the machine is protected against accidental starting.

Disconnect from the power source!

Clean the machine regularly.

Defective safety devices must be replaced immediately.

Repair and maintenance work on the electrical system may only be carried out by a qualified electrician.

8.1 Weekly Lubrication

DIN 51502 CG ISO VG68

(e.g. BP Maccurat 68, Castrol Magna BD 68, Mobil Vectra 2)

- X/Y/Z-axis lead screw

Apply oil on entire length.

- X/Y/Z-axis hand wheels

Lubricate ball oilers.

- X/Y/Z-axis ways

Lubricate ways on entire length.

- Spindle quill

Apply oil on entire length.

8.2 Slide adjustments

The X/Y/Z slide way gibs are adjustable with grub screws.

8.3 Lead screw nut adjustment

The X/Y lead screws (112, 166) are fitted with adjustable (slotted) lead screw nuts.

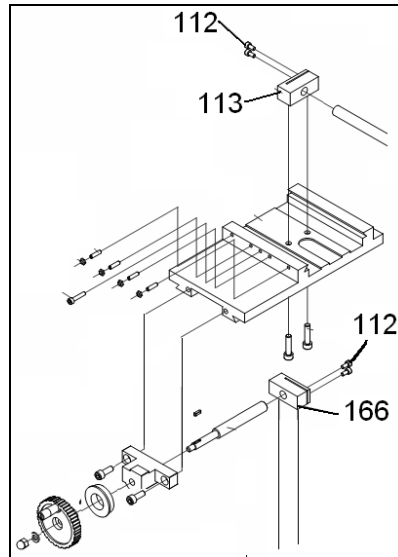


Fig 5

Tighten the screws (112) to remove the play.

9. Trouble shooting

Motor doesn't start

*No electricity-
check mains and fuse.

*Defective switch, motor or cord-
consult an electrician.

Machine vibration

*Stand on uneven floor-
adjust stand for even support.

*Tool deflection-
reduce tool length.

*Slide backlash-
adjust slide gibs.

*Slides running dry-
lubricate with oil.

*Dry spindle quill-
lubricate spindle quill.

*Dull tool tip-
resharpen or change tool.

*Chip load too high-
reduce depth of cut or feed-

*Table lead screw nut has play-
tighten adjusting screw.

Tool tip burns

*Cutting speed too high-
reduce spindle speed.

*Dull tool tip-
resharpen tool tip.

Drill leads off

*cutting lips or angle not equal-
resharpen drill bit correctly.

*drilled hole off centre-
drill a pilot hole first.

*bent drill bit-
use a proper drill bit.

*drill bit not properly installed-
install drill bit correctly.

10. Environmental protection

Protect the environment.

Your appliance contains valuable materials which can be recovered or recycled. Please leave it at a specialized institution.

11. Available accessories

Refer to the Jet-Pricelist for various accessories.

DE - DEUTSCH

Gebrauchsanleitung

Sehr geehrter Kunde,

vielen Dank für das Vertrauen, welches Sie uns beim Kauf Ihrer neuen JET-Maschine entgegengebracht haben. Diese Anleitung ist für den Inhaber und die Bediener zum Zweck einer sicheren Inbetriebnahme, Bedienung und Wartung des JET Fräs- und **Bohrzentrums JMD-1** erstellt worden. Beachten Sie bitte die Informationen dieser Gebrauchsanleitung und der beiliegenden Dokumente. Lesen Sie diese Anleitung vollständig, insbesondere die Sicherheitshinweise, bevor Sie die Maschine zusammenbauen, in Betrieb nehmen oder warten. Um eine maximale Lebensdauer und Leistungsfähigkeit Ihrer Maschine zu erreichen befolgen Sie bitte sorgfältig die Anweisungen.

Inhaltsverzeichnis

1. Konformitätserklärung

2. Garantieleistungen

3. Sicherheit

Bestimmungsgemäße Verwendung
Allgemeine Sicherheitshinweise
Restrisiken

4. Maschinenspezifikation

Technische Daten
Schallemission
Lieferumfang
Maschinenbeschreibung

5. Transport und Inbetriebnahme

Transport und Aufstellung
Montage
Elektrischer Anschluss
Erstschmierung
Inbetriebnahme

6. Betrieb der Maschine

Wahl der Spindeldrehzahl

7. Rüst- und Einstellarbeiten

Fräsdorn Wechsel
Pinolen Feinzustellung
Vertikalsäule-Schwenkung

8. Wartung und Inspektion

Wöchentliche Schmierung
Schlittenführung Nachstellung
Spindelmuttern Nachstellung

9. Störungsabhilfe

10. Umweltschutz

11. Lieferbares Zubehör

1. Konformitätserklärung

Wir erklären in alleiniger Verantwortlichkeit, dass dieses Produkt mit den auf Seite 2 angegebenen Richtlinien* übereinstimmt.

Bei der Konstruktion wurden folgende Normen** berücksichtigt.

2. Garantieleistungen

Der Verkäufer garantiert, dass das gelieferte Produkt frei von Material- und Fertigungsfehlern ist. Diese Garantie trifft nicht auf jene Defekte zu, welche auf direkten oder indirekten, nicht fachgerechten Gebrauch, Unachtsamkeit, Unfallschaden, Reparatur, mangelhafte Wartung bzw. Reinigung sowie normalen Verschleiß zurückzuführen sind.

Garantie- bzw. Gewährleistungsansprüche müssen innerhalb von 12 Monaten ab dem Verkaufsdatum (Rechnungsdatum) geltend gemacht werden. Weitergehende Ansprüche sind ausgeschlossen.

Die vorliegende Garantie umfasst sämtliche Garantieverpflichtungen seitens des Verkäufers und ersetzt alle früheren Erklärungen und Vereinbarungen betreffend Garantien.

Die Garantiefrist gilt für eine tägliche Betriebszeit von 8 Stunden. Wird diese überschritten, so verkürzt sich die Garantiefrist proportional zur Überschreitung, jedoch höchstens auf 3 Monate.

Die Rücksendung beanstandeter Ware bedarf der ausdrücklichen vorherigen Zustimmung vom Verkäufer und geht auf Kosten und Gefahr des Käufers.

Die ausführlichen Garantieleistungen sind den Allgemeinen Geschäftsbedingungen (AGB) zu entnehmen. Die AGB sind unter www.jettools.com einzusehen oder werden auf Anfrage per Post zugestellt.

Der Verkäufer behält sich das Recht vor, jederzeit Änderungen am Produkt und Zubehör vorzunehmen.

3. Sicherheit

3.1 Bestimmungsgemäße Verwendung

Dieses Fräs- und Bohrzentrum ist ausschließlich zum Fräsen und Bohren von zerspanbaren Kunststoffen und Metallen geeignet. Die Bearbeitung anderer Werkstoffe ist nicht zulässig bzw. darf in Sonderfällen nur nach Rücksprache mit dem Maschinenhersteller erfolgen.

Niemals Magnesium zerspanen- Hohe Feuergefahr!

Es dürfen nur Werkstücke bearbeitet werden welche sicher zugeführt, und gespannt werden können.

Die bestimmungsgemäße Verwendung beinhaltet auch die Einhaltung der vom Hersteller angegebenen Betriebs- und Wartungsanweisungen.

Die Maschine darf ausschließlich von Personen bedient werden, die mit Betrieb und Wartung vertraut und über die Gefahren unterrichtet sind.

Das gesetzliche Mindestalter ist einzuhalten.

Die Maschine darf nur in technisch einwandfreiem Zustand betrieben werden.

Beim Arbeiten an der Maschine müssen alle Sicherheitseinrichtungen und Abdeckungen vorhanden sein

Neben den in der Gebrauchsanleitung enthaltenen Sicherheitshinweisen und den besonderen Vorschriften Ihres Landes sind die für den Betrieb von Metallbearbeitungsmaschinen allgemein anerkannten fachtechnischen Regeln zu beachten.

Jeder darüber hinaus gehende Gebrauch gilt als nicht bestimmungsgemäß und für daraus resultierende Schäden haftet der Hersteller nicht. Das Risiko trägt allein der Benutzer.

3.2 Allgemeine Sicherheitshinweise

Metallbearbeitungsmaschinen können bei unsachgemäßem Gebrauch gefährlich sein. Deshalb ist zum sicheren Betreiben die Beachtung der zutreffenden Unfallverhütungs- Vorschriften und der nachfolgenden Hinweise erforderlich.

Lesen und verstehen Sie die komplette Gebrauchsanleitung bevor Sie mit Montage oder Betrieb der Maschine beginnen.

Bewahren Sie die Bedienungsanleitung, geschützt vor Schmutz und Feuchtigkeit, bei der Maschine auf, und geben Sie sie an einen neuen Eigentümer weiter.

An der Maschine dürfen keine Veränderungen, An- und Umbauten vorgenommen werden.

Überprüfen Sie täglich vor dem Einschalten der Maschine die einwandfreie Funktion und das Vorhandensein der erforderlichen Schutzeinrichtungen.

Festgestellte Mängel an der Maschine oder den Sicherheitseinrichtungen sind zu melden und von den beauftragten Personen zu beheben. Nehmen Sie die Maschine in solchen Fällen nicht in Betrieb, sichern Sie die Maschine gegen Einschalten durch Ziehen des Netzsteckers.

Zum Schutz von langem Kopfhair Mütze oder Haarnetz aufsetzen.

Enganliegende Kleidung tragen, Schmuck, Ringe und Armbanduhren ablegen.

Tragen Sie Schutzschuhe, keinesfalls Freizeitschuhe oder Sandalen.

Verwenden Sie die durch Vorschriften geforderte persönliche Schutzausrüstung
-Augenschutz
-Gehörschutz.

Beim Arbeiten an der Maschine **keine Handschuhe** tragen.

Die Maschine so aufstellen, dass genügend Platz zum Bedienen und zum Führen der Werkstücke gegeben ist.

Sorgen Sie für gute Beleuchtung.

Die Maschine muss auf dem Unterschrank oder auf einer belastbaren Werkbank festgeschraubt werden.

Sichern Sie die Maschine gegen Umfallen.

Beachten Sie dass die elektrische Zuleitung nicht den Arbeitsablauf behindert und nicht zur Stolperstelle wird.

Den Arbeitsplatz frei von hindernden Werkstücken, etc. halten.

Seien Sie aufmerksam und konzentriert. Gehen Sie mit Vernunft an die Arbeit.

Achten Sie auf ergonomische Körperhaltung. Sorgen Sie für sicheren Stand und halten Sie jederzeit das Gleichgewicht.

Arbeiten Sie niemals unter dem Einfluss von Rauschmitteln wie Alkohol und Drogen an der Maschine. Beachten Sie, dass auch Medikamente Einfluss auf Ihr Verhalten nehmen können.

Niemals in die laufende Maschine greifen.

Die laufende Maschine nie unbeaufsichtigt lassen. Vor dem Verlassen des Arbeitsplatzes die Maschine ausschalten.

Halten Sie Unbeteiligte, insbesondere Kinder vom Gefahrenbereich fern.

Benützen Sie die Maschine nicht in der Nähe von brennbaren Flüssigkeiten oder Gasen. Beachten Sie die Brandmelde- und Brandbekämpfungsmöglichkeiten z.B. Standort und Bedienung von Feuerlöschern.

Benützen Sie die Maschine nicht in feuchter Umgebung und setzen Sie sie nicht dem Regen aus.

Nur mit gut geschärften Werkzeugen arbeiten.

Arbeiten Sie nie bei geöffnetem Bohrfutterschutz oder Riemenschutz.

Entfernen Sie vor dem Start den Bohrfutterschlüssel und andere Werkzeuge.

Angaben über die min. und max. Werkstückabmessungen müssen eingehalten werden.

Späne und Werkstückteile nur bei stehender Maschine entfernen.

Nicht auf der Maschine stehen.

Arbeiten an der elektrischen Ausrüstung der Maschine dürfen nur durch eine Elektrofachkraft vorgenommen werden.

Tauschen Sie ein beschädigtes Netzkabel sofort aus.

Halten Sie mit ihren Fingern ausreichend Abstand zum rotierenden Werkzeug und Spänen.

Sichern Sie das Werkstück gegen Mitdrehen. Verwenden Sie Spannpratzen, einen Schraubstock oder eine Hilfsvorrichtung um das Werkstück zu fixieren. Halten Sie das Werkstück niemals mit den Händen allein.

Den Schraubstock immer am Tisch festschrauben.

Arbeiten Sie niemals freihändig (frei gehaltenes Werkstück ohne Abstützung).

Den Fräskopf nur bei Maschinenstillstand verstellen.

Falls die Schwerpunktage des Werkstückes außerhalb des Tisches liegt klemmen Sie es am Tisch fest oder stützen Sie es mit einem Rollbock ab.

Kontrollieren Sie vor der Bearbeitung ob das Werkstück sicher eingespannt ist.

Späne nur bei Maschinenstillstand und mit Hilfe eines geeigneten Spänehakens entfernen.

Das Spannfutter oder Werkzeug nicht mit der Hand abbremsen.

Führen Sie Mess- und Einstellarbeiten nur bei Maschinenstillstand durch.

Umrüst- und Einstellarbeiten nur im Maschinenstillstand und bei gedrücktem Not-Aus Taster vornehmen.

Wartungs- und Reparaturarbeiten nur bei gezogenem Netzstecker vornehmen.

Verwenden Sie keine Drahtbürstwerkzeuge oder Schleifwerkzeuge auf dieser Maschine.

Bei Nichtgebrauch die Maschine vom Netz trennen (Netzstecker ziehen).

Sicherungswechsel nur bei gezogenem Netzstecker vornehmen.

3.3 Restrisiken

Auch bei vorschriftsmäßiger Benutzung der Maschine bestehen die nachfolgend aufgeführten Restrisiken.

Verletzungsgefahr durch das rotierende Werkzeug und Spannutter.

Gefährdung durch wegfliegende und heiße Werkstücke und Späne.

Gefährdung durch Lärm und Späne. Unbedingt persönliche Schutzausrüstungen wie Augen-, Gehör- und Staubschutz tragen.

Gefährdung durch Strom, bei nicht ordnungsgemäßer Verkabelung.

4. Maschinenspezifikation

4.1 Technische Daten

Bohrkapazität St37	10mm
Gewindekapazität St37	M6
Fräskapazität Messerkopf	20mm
Fräskapazität Schafffräser	10mm
Ausladung	140mm
Abstand Spindel/ Tisch max	210mm
Spindelaufnahme	MK-2
Anzugstange	M10
Spindelhub manuell	30mm
Vertikalsäule Schwenkung	45°L / 45°R
Spindeldrehzahlen	100-1000U/min
	200-2000U/min
Tischhub X-Achse	190mm
Tischhub Y-Achse	100mm
Tischgröße	145 x 240mm
T-Nuten 3	8mm

Maschinenabmessungen (L x B x H)	550 x 450 x 630mm
Maschinengewicht	40 kg

Netzanschluss	230V ~1L/N/PE 50Hz
Abgabeleistung	150W (0,2 PS) S1
Betriebsstrom	1 A
Anschlussleitung (H07RN-F)3x1,5mm ²	
Bauseitige Absicherung	10A

4.2 Schallemission

Schalldruckpegel
(nach EN ISO 11202):
Leerlauf Maximaldrehzahl
LpA 79,4 dB(A)

Die angegebenen Werte sind Emissionspegel und sind nicht notwendigerweise Pegel für sicheres Arbeiten.

Sie sollen dem Anwender eine Abschätzung der Gefährdung und des Risikos ermöglichen.

4.3 Lieferumfang

10mm Bohrfutter mit Dorn MK2
Anzugstange M10
Bohr- und Frässchutz
Bedienwerkzeug
Gebrauchsanleitung
Ersatzteilliste

4.4 Maschinenbeschreibung

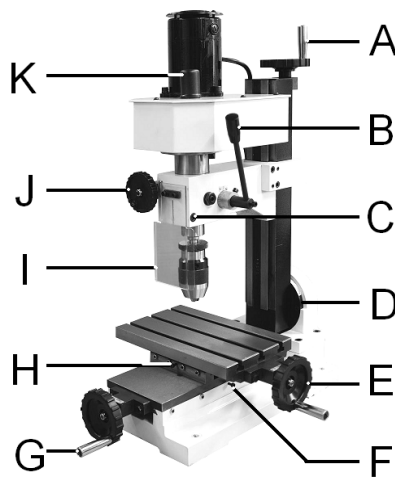


Fig 1

- A....Z-Achse Handrad
- B....Bohrvorschub Handgriff
- C.....Pinolenklemmung
- D.....Vertikalsäule Schwenkung
- E.....X-Achse Handrad
- F....Y-Achse Schlittenklemmung
- G....Y-Achse Handrad

- H....X-Achse Schlittenklemmung
- I.....Bohrfutterschutz
- J.....Pinolenfeinjustell Handrad
- K....Abdeckung für Anzugstange

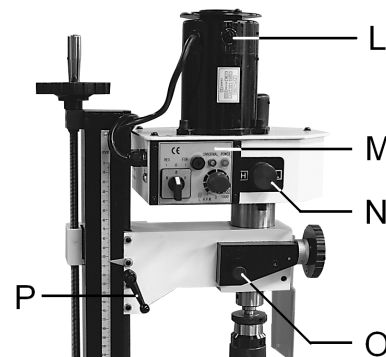


Fig 2

- L....Motorbürsten
- M....Spindellauf Steuerfeld
- N....Getriebe-Wahlschalter
- O....Feinjustellung Ein/Aus
- P....Z-Achse Schlittenklemmung

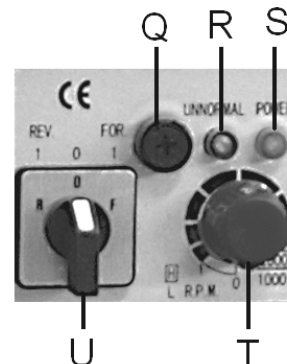


Fig 3

- Q....Sicherung
- R....Überlast und Nicht-Betriebsbereit-Kontrolllampe
- S....Netzanschlussleuchte
- T....Reset-Stop / Drehzahlwahl
- U....Linkslauf/ 0 / Rechtslauf Schalter

5. Transport und Inbetriebnahme

5.1. Transport und Aufstellung

Die Aufstellung der Maschine sollte in geschlossenen Räumen erfolgen, werkstattübliche Bedingungen sind dabei ausreichend.

Die Maschine muss auf dem Unterschrank oder auf einer belastbaren Werkbank festgeschraubt werden.

Sichern Sie die Maschine gegen Umfallen!

Aus verpackungstechnischen Gründen ist die Maschine nicht komplett montiert.

5.2 Montage

Wenn Sie beim Auspacken einen Transportschaden feststellen, benachrichtigen Sie umgehend Ihren Händler, nehmen Sie das Gerät nicht in Betrieb.

Entsorgen Sie die Verpackung bitte umweltgerecht.

Entfernen Sie das Rostschutzfett mit einem milden Lösungsmittel.

Montieren Sie die Kurbelgriffe auf die Handräder (A, E, G Fig 1).

5.3 Elektrischer Anschluss

Der kundenseitige Netzanschluss sowie die verwendeten Verlängerungsleitungen müssen den Vorschriften entsprechen. Die Netzspannung und Frequenz müssen mit den Leistungsschilddaten an der Maschine übereinstimmen.

Die bauliche Absicherung muss dabei 10A betragen.

Verwenden Sie nur Anschlussleitungen mit Kennzeichnung H07RN-F

Anschlüsse und Reparaturen der elektrischen Ausrüstung dürfen nur von einer Elektrofachkraft durchgeführt werden.

Prüfen Sie vor dem Netzanschluss dass sich der Linkslauf / 0 / Rechtslaufscharter (U, Fig 4) in der Nullstellung befindet.

5.4 Erstschnierung

Vor der Inbetriebnahme der Maschine sind alle Schmierstellen zu versorgen. (Siehe Schmierung, Kapitel 8)

5.5 Inbetriebnahme

Prüfen Sie vor dem Starten der Maschine die korrekte Werkzeugaufspannung.

Prüfen Sie vor jedem Netzanschluss dass sich der Linkslauf / 0 / Rechtslaufscharter (U, Fig 4) in der Nullstellung befindet.

Die Netzkontrollleuchte (S, Fig 4) leuchtet wenn sich die Maschine unter Spannung befindet.

Mit dem Linkslauf/ 0 /Rechtslauf-Schalter (U, Fig 4) wählen Sie die Laufrichtung vor und setzen Sie die Elektrik unter Spannung.

Starten Sie die Maschine mit dem Drehzahlwahl Drehknopf (T).

Stoppen Sie die Maschine indem Sie den Drehknopf (T) nach links drehen bis er in 0-Stellung einrastet.

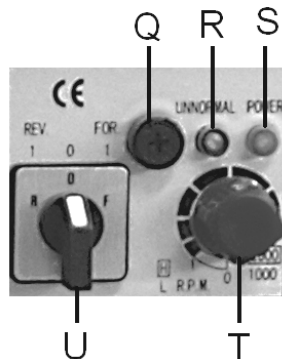


Fig 4

Bei Nichtgebrauch die Maschine vom Netz trennen (Netzstecker ziehen).

Getriebe Wahlschalter:

Abhängig von der Stellung des Getriebe-Wahlschalters (N, Fig 2) ergeben sich folgende Drehzahlbereiche.

I.....100 – 1000 U/min

II.....200 – 2000 U/min

Der Getriebe-Wahlschalter darf nur bei Maschinenstillstand betätigt werden!

Fehlbedienung kann zu Elektrik- und Getriebeschaden führen.

Überlastsicherung:

Die Schmelzsicherung (Q, Fig 4) dient zur Absicherung des Motors und der Elektronik.

Sicherungswechsel nur bei gezogenem Netzstecker vornehmen.

Störungs-Kontrolllampe:

Die Störungs-Kontrolllampe (R, Fig 4) zeigt Motor-Überlast und nicht betriebsbereite Elektronik an.

6. Betrieb der Maschine

Achtung: Vor Rüst- und Einstellarbeiten muss die Maschine gegen Inbetriebnahme gesichert werden. Netzstecker ziehen!

Halten Sie mit ihren Fingern ausreichend Abstand zum rotierenden Werkzeug, Spannfutter und zu Spänen.

Späne nur mit Hilfe eines geeigneten Spänehakens bei ausgeschalteter Maschine entfernen.

Das Spannfutter oder Werkzeug nicht mit der Hand abbremsen.

Arbeiten Sie nie ohne Bohrfutterschutz.

Sichern Sie das Werkstück gegen Mitnahme durch den Bohrer. Klemmen Sie das Werkstück am Tisch fest oder setzen Sie einen Schraubstock ein.

Den Schraubstock immer am Tisch festschrauben.

Kontrollieren Sie vor der Bearbeitung ob das Werkstück und das Werkzeug sicher eingespannt sind.

Arbeiten Sie niemals freihändig (frei gehaltenes Werkstück ohne Abstützung).

Lange Werkstücke durch Rollenböcke abstützen.

Wählen Sie die Bohrvorschubkraft so dass der Bohrer zügig bohrt. Ein zu geringer Bohrvorschub führt zu vorzeitigem Bohrerverschleiß und Brandstellen am Werkstück oder Werkzeug, ein zu hoher Bohrvorschub kann den Motor stoppen oder den Bohrer brechen.

Verwenden Sie keine Drahtbürstwerkzeuge oder Schleifwerkzeuge auf dieser Maschine.

Niemals Magnesium zerspanen- Hohe Feuergefahr!

Führen Sie Mess- und Einstellarbeiten nur bei Maschinenstillstand durch.

6.1 Wahl der Spindeldrehzahl

Die richtige Spindeldrehzahl hängt von der Art der Bearbeitung, dem Werkstückmaterial sowie von Werkzeugdurchmesser und -material ab.

Die Drehzahlempfehlungen gelten für einen Werkzeugdurchmesser von 10mm und eine Zerspanung mit einem Schnellarbeitsstahl (HSS) Werkzeug (z.B. Spiralbohrer).

Aluminium, Messing 1500 U/min

Grauguss: 1000 U/min

Stahl (C15): 800 U/min

Stahl (C45): 600 U/min

Rostfreier Stahl: 300 U/min

Bei Verwendung eines Hartmetall (HM) Werkzeugs ist die ca. 5.fache Drehzahl zulässig.

Allgemein ausgedrückt:
Im Verhältnis je größer der Drehdurchmesser, desto niedriger die mögliche Drehzahl.

Zum Beispiel:

Stahl (C15) mit 20mm Durchmesser erlaubt eine Drehzahl von

400 U/min mit HSS Werkzeug
2000 U/min mit HM Werkzeug

Hinweis:

Zum Gewindeschneiden eine niedrige Drehzahl wählen.

7. Rüst- und Einstellarbeiten

Allgemeine Hinweise:

Vor Rüst- und Einstellarbeiten muss die Maschine gegen Inbetriebnahme gesichert werden. Netzstecker ziehen!

7.1 Fräsdornwechsel

Entfernen Sie die Abdeckung der Anzugstange (K, Fig 1).

Lösen Sie die Anzugstange.

Schrauben Sie die Anzugstange 2 bis maximal 3 Umdrehung heraus.

Mit einem kräftigen Schlag auf die Anzugstange mittels Gummihammer lösen Sie den Fräsdorn aus der Spindelaufnahme.

7.2 Pinolen Feinzustellung

Zur Verwendung der Pinolen-Feinzustellung (J, Fig 1) den Ein/Aus-Griff (O, Fig 2) eindrücken.

7.3 Vertikalsäule Schwenkung

Zum Schwenken der Vertikalsäule lösen Sie die Innensechskantschrauben (D, Fig 1).

Die Vertikalsäule kann 45° nach Links und 45° nach Rechts geschwenkt werden.

8. Wartung und Inspektion

Allgemeine Hinweise

Vor Wartungs- Reinigungs- und Reparaturarbeiten muss die Maschine gegen Inbetriebnahme gesichert werden. Netzstecker ziehen!

Reinigen Sie die Maschine in regelmäßigen Zeitabständen.

Beschädigte Sicherheitseinrichtungen sofort ersetzen.

Anschlüsse und Reparaturen der elektrischen Ausrüstung dürfen nur von einer Elektrofachkraft durchgeführt werden.

8.1 Schmierung wöchentlich:

DIN 51502 CG ISO VG 68

(z.B. BP Maccurat 68, Castrol Magna BD 68, Mobil Vectra 2)

- X/Y/Z- Vorschubspindel

Auf ganzer Länge ölen.

- X/Y/Z-Handräder

Ölen der Lagerstellen.

- X/Y/Z-Schlittenführungen

Auf ganzer Länge ölen.

- Spindelpinole

Auf ganzer Länge ölen.

8.2 Schlittenführung Nachstellung

Die X/Y/Z-Schlittenführungen sind an den seitlichen Stellschrauben nachstellbar.

8.3 Spindelmutter Nachstellung

Die X/Y-Vorschubspindel (112, 166) sind mit nachstellbaren (geschlitzten) Muttern ausgestattet.

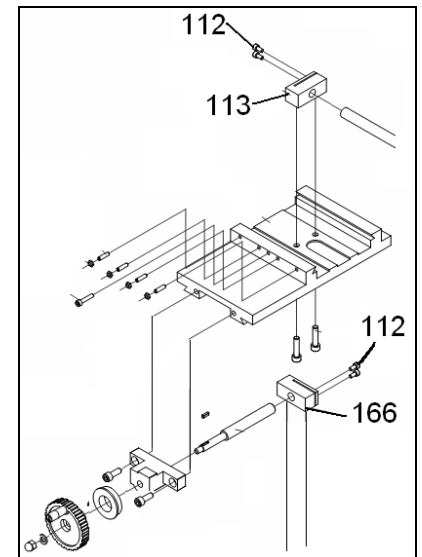


Fig 5

Ziehen Sie die Schrauben (112) fest um das Mutternumkehrspiel zu reduzieren.

9. Störungsabhilfe

Motor startet nicht

*Kein Strom-Netzsicherung prüfen.

*Motor, Schalter oder Kabel defekt-Elektrofachkraft kontaktieren.

Maschine vibriert

*Werkzeug instabil gespannt-Werkzeuglänge reduzieren.

*Maschine steht uneben-Ausgleich schaffen.

*Schlitten haben Führungsspiel-Führungsleisten einstellen.

*Schlittenführungen laufen trocken-Führungen ölen.

*Spindelpinole ist trocken-Spindelpinole fetten.

*Werkzeugschneide stumpf-Werkzeug schärfen oder tauschen.

*Schnittdruck zu hoch-Spantiefe oder Vorschub reduzieren.

*Vorschubspindel hat Umkehrspiel-Spindelmutter nachstellen.

Werkzeug glüht aus

*Schnittgeschwindigkeit zu hoch-Drehzahl reduzieren.

*Werkzeugschneide verschlissen-Werkzeug schärfen.

Bohrloch verläuft

*Bohrer asymmetrisch geschliffen-Bohrer korrekt schärfen

*Bohrlochanfang versetzt-
Zentrierbohrer einsetzen.

*Bohrer verbogen-
Neuen Bohrer einsetzen.

*Bohrer nicht korrekt gespannt-
Bohrer erneut einspannen.

10. Umweltschutz

Schützen Sie die Umwelt!

Ihr Gerät enthält mehrere
unterschiedliche , wiederverwertbare
Werkstoffe.

Bitte entsorgen Sie es nur an einer
spezialisierten Entsorgungsstelle.

11. Lieferbares Zubehör

Zubehöre siehe die JET-Preisliste.

FR - FRANCAIS

Mode d'emploi

Cher client,

Nous vous remercions de la confiance que vous nous portez avec l'achat de votre nouvelle machine JET. Ce manuel a été préparé pour l'opérateur **du Centre de toupillage et de perçage JET JMD-1**. Son but, mis à part le fonctionnement de la machine, est de contribuer à la sécurité par l'application des procédés corrects d'utilisation et de maintenance. Avant de mettre l'appareil en marche, lire les consignes de sécurité et de maintenance dans leur intégralité. Pour obtenir une longévité et fiabilité maximales de votre toupie, et pour contribuer à l'usage sûr de la machine, veuillez lire attentivement ce mode d'emploi et suivre les instructions.

Table des Matières

1. Déclaration de conformité

2. Prestations de garantie

3. Sécurité

Utilisation conforme
Consignes de sécurité
Risques

4. Spécifications

Données techniques
Emission de bruit
Contenu de la livraison
Description de la machine

5. Transport et montage

Transport et mise en place
Montage
Raccordement au réseau électr.
Premier graissage
Mise en exploitation

6. Fonctionnement de la machine

Choix de la vitesse

7. Réglages et changement d'outils

Changement du mandrin
Mouvement lent de la broche
Pivotement de la colonne verticale

8. Entretien et inspection

Graissage hebdomadaire
Ajustage course du chariot
Ajustage écrou de broche

10. Protection de l'environnement

11. Accessoires

1. Déclaration de conformité

Nous déclarons, de notre propre responsabilité, que ce produit correspond en tout point aux lignes directrices* décrites à la page 2.

Lors de la construction, les normes** suivantes ont été respectées.

2. Prestations de garantie

Le vendeur garantit que le produit livré est exempt de défauts de matériel et de fabrication. La présente garantie ne s'applique pas aux défauts résultant d'une utilisation directe ou indirecte incorrecte, de l'inattention, d'un accident, d'une réparation, d'une maintenance ou d'un nettoyage insuffisant, ou encore de l'usure normale.

Il est possible de faire valoir des prétentions en garantie dans les 12 mois suivant la date de la vente (date de la facture). Toute autre prétention est exclue.

La présente garantie comprend toutes les obligations de garantie incombant au vendeur et remplace toutes les déclarations et conventions antérieures en termes de garanties.

Le délai de garantie s'applique pour une durée d'exploitation de huit heures par jour. Au-delà, le délai de garantie diminue proportionnellement au dépassement, mais pas en deçà de trois mois.

Le renvoi d'une marchandise faisant l'objet d'une réclamation requiert l'accord préalable exprès du vendeur et s'effectue aux frais et aux risques de l'acheteur.

Les prestations de garantie détaillées figurent dans les Conditions générales (CG). Ces dernières sont disponibles sur www.jettools.com ou peuvent être envoyées par la poste sur demande.

Le vendeur se réserve le droit de modifier à tout moment le produit et les accessoires.

3. Sécurité

3.1 Utilisation conforme

Ce centre de toupillage et de perçage convient au travail des matières synthétiques et des métaux usinables. Le travail d'autres matériaux est interdit et ne peut être effectué que dans des cas spéciaux et après accord du fabricant de la machine.

Ne jamais usiner du Magnésium Dangers d'incendies

Pour l'usinage, la pièce doit se laisser poser et serrer sans problème.

L'utilisation conforme implique le strict respect des instructions de service et de maintenance indiquées dans ce manuel.

La machine doit être exclusivement utilisée par des personnes familiarisées avec le fonctionnement, la maintenance et la remise en état, et qui sont informées des dangers correspondants.

L'âge minimum requis par la loi est à respecter.

La machine ne doit être utilisée que si elle est en parfait état.

N'utiliser la machine que si tous les dispositifs de sécurité et de protection sont en place.

En plus des directives de sécurité contenues dans ce mode d'emploi et des consignes de sécurité en vigueur dans votre pays, il faut respecter les règles générales concernant l'utilisation des machines pour le travail des métaux.

Toute utilisation sortant de ce cadre est considérée comme non-conforme et le fabricant décline toute responsabilité, qui est dans ce cas rejetée exclusivement sur l'utilisateur.

3.2 Consignes de sécurité

L'utilisation non-conforme d'une machine pour le travail des métaux peut être très dangereuse. C'est pourquoi vous devez respecter scrupuleusement les consignes de lutte contre les accidents et les instructions suivantes.

Lire attentivement et comprendre ce mode d'emploi avant de monter ou d'utiliser votre appareil.

Conserver à proximité de la machine tous les documents fournis avec l'outillage (dans une pochette en plastique, à l'abri de la poussière, de l'huile et de l'humidité) et veiller à joindre cette documentation si vous cédez l'appareil.

Ne pas effectuer de modifications à la machine. Utiliser les accessoires recommandés, des accessoires incorrects peuvent être dangereux.

Chaque jour avant d'utiliser la machine, contrôler les dispositifs de protection et le fonctionnement impeccable.

En cas de défauts à la machine ou aux dispositifs de protection avertir les personnes compétentes et ne pas utiliser la machine. Déconnecter la machine du réseau.

Avant de mettre la machine en marche, retirer cravate, bagues, montre ou autres bijoux et retrousser les manches jusqu'aux coudes. Enlever tous vêtements flottants et nouer les cheveux longs.

Porter des chaussures de sécurité, surtout pas de tenue de loisirs ou de sandales.

Porter équipement de sécurité personnel pour travailler à la machine
- des lunettes protectrices,
- une protection acoustique.

Ne pas porter **de gants** pendant l'usinage.

Placer la machine de sorte à laisser un espace suffisant pour la manœuvre et le guidage des pièces à usiner.

Veiller à un éclairage suffisant.

La machine doit être vissée sur le socle ou sur un établi solide.

Assurer la machine pour qu'elle ne tombe pas.

S'assurer que le câble d'alimentation ne gêne pas le travail ni ne risque de faire trébucher l'opérateur.

Retirer toute pièce encombrante de la zone de travail.

Rester vigilant et concentré et travailler avec bon sens.

Eviter toute position corporelle anormale.

Veiller à une position stable et garder un bon équilibre à tout moment.

Ne pas travailler sous l'influence de drogues, d'alcool ou de médicaments.

Ne jamais mettre la main dans la machine en marche.

Ne jamais laisser la machine en marche sans surveillance.
Arrêter la machine avant de quitter la zone de travail.

Eloigner de la machine toutes personnes incompetentes surtout les enfants.

Ne pas mettre la machine à proximité de liquides ou de gaz inflammables, respecter les consignes de lutte contre les incendies, par ex le lieu et l'utilisation des extincteurs.

Préserver la machine de l'humidité et ne jamais l'exposer à la pluie.

N'utiliser que des outils bien affûtés.

Ne jamais travailler avec les protections de mandrin ou de courroie ouvertes.

Avant de débiter l'usinage, retirer la clé de montage de mandrin et autres outils.

Se tenir aux spécifications concernant la dimension maximale ou minimale de la pièce à usiner.

Ne pas enlever les copeaux et les pièces usinées avant que la machine ne soit à l'arrêt.

Ne pas se mettre sur la machine.

Tous travaux de branchement et de réparation sur l'installation électrique doivent être exécutés uniquement par un électricien qualifié.

Remplacer immédiatement tout câble endommagé ou usé.

Eloigner suffisamment les doigts des outils en rotation et des copeaux.

Assurer la pièce d'œuvre contre la rotation

Pour fixer la pièce, utiliser des griffes de serrage, un étau ou un dispositif auxiliaire.

Ne jamais tenir la pièce seulement avec les mains.

Toujours fixer l'étau sur la table.

Ne jamais travailler à main levée (en tenant la pièce d'œuvre sans appui).

Pour changer la tête de fraisage, arrêter la machine.

Si le centre de gravité de la pièce d'œuvre se trouve en dehors de la table, serrer la pièce sur la table ou utiliser un support roulant.

Avant de commencer le travail, contrôler que la pièce est bien assurée.

Ne retirer les copeaux que sur la machine arrêtée et à l'aide d'un crochet spécial.

Ne pas freiner le mandrin ou l'outil avec la main.

N'opérer des mesures ou des réglages que sur la machine à l'arrêt.

Faire tous les travaux de réglage et les changements d'outil sur la machine arrêtée et dont le bouton d'arrêt d'urgence est enfoncé.

Faire tous les travaux de maintenance et de réparation après avoir débranché la machine du réseau.

Ne pas utiliser d'outil en brosse métallique ou de ponçage sur cette machine.

Si la machine n'est pas utilisée, la débrancher du réseau .

Toujours déconnecter la machine du réseau avant de changer le fusible.

3.3 Risques

Même en respectant les directives et les consignes de sécurité les risques suivants existent :

Danger de blessures par outils ou mandrin en rotation.

Danger par pièces éjectées, copeaux et outils brûlants

Risque de nuisances par copeaux et bruit.

Pour travailler à la machine, porter absolument des équipements personnels de sécurité tels que lunettes, protèges-oreilles et poussière

Danger par câble électrique endommagé, usé ou mal branché.

4. Spécifications JMD-1

4.1 Données techniques

Capacité de perçage acier C15	10mm
Capacité taraudage acier C15	M6
Capacité fraisage de la tête	20mm
Capacité fraisage de la tige	10mm
Longueur max. pièce	140mm
Distance broche-table max	210mm
Nez de broche	MC-2
Barre d'entraînement	M10
Course d'arbre manuelle	30mm
Pivotement de la colonne verticale	45°G /45°D
Vitesses arbre	100-1000T/min 200-2000T/min
Course de table Axe X	190mm
Course de table Axe Y	100mm
Dimensions table	145 x 240mm
Rainure en T	3 8mm

Dim. machine (L x l x h)

550 x 450 x 630mm

Poids 40 kg

Voltage 230V ~1L/N/PE 50Hz

Puissance 150W (0,2 CV) S1

Courant électrique 1 A

Raccordement (H07RN-F)3x1,5mm²

Fusible du secteur électr. 10A

4.2 Emission de bruit

Niveau de pression sonore

(selon EN ISO 11202):

Marche à vide (vitesse max.)

LpA 79,4dB(A)

Les indications données sont des niveaux de bruit et ne sont pas forcément les niveaux pour un travail sûr.

Cette information est tout de même importante, ainsi l'utilisateur peut estimer les dangers et les risques possibles.

4.3 Contenu de la livraison

Porte-foret 10 mm avec mandrin MC2

Barre d'entraînement M10

Carter de protection pour fraisage et perçage

Outil de travail

Mode d'emploi

Liste des pièces de rechange

4.4 Description de la machine

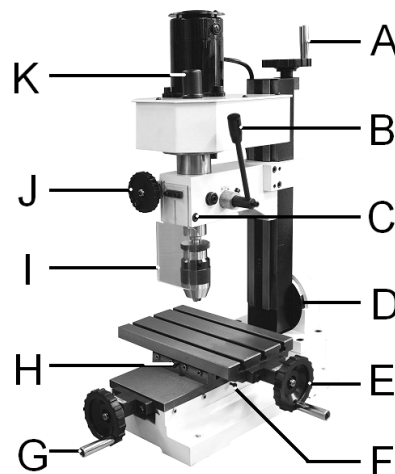


Fig 1

A....Volant axe Z

B....Poignée d'avance de perçage

C....Fixation de la broche

D....Pivotement de la colonne verticale

E....Volant Axe X

F....Blocage chariot axe Y

G....Volant axe Y

H....Blocage chariot axe X

I.....Protecteur de mandrin

J....Volant de serrage pour réglages précis

K....Protecteur de la barre d'entraînement

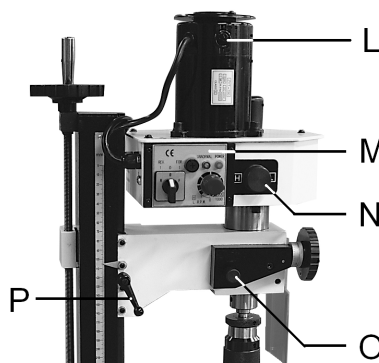


Fig 2

L....Balais du moteur

M....Zone de commande de la course du mandrin

N....Sélecteur d'entraînement

O....Mouvement lent : marche/arrêt

P.... Blocage chariot axe Z

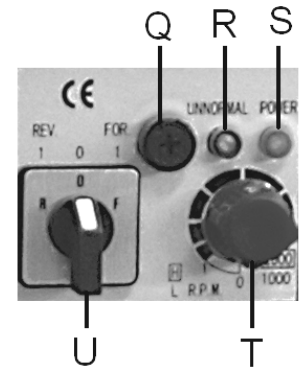


Fig 3

Q....Fusible surcharge du moteur

R....Lampe surcharge du moteur témoin de panne

S....Lampe témoin d'alimentation électrique

T....Sélecteur de vitesse en continu.

U....Interrupteur: à gauche / 0 / à droite.

5. Transport et mise en exploitation

5.1. Transport et installation

Effectuer le montage de la machine dans un local fermé, les conditions générales d'atelier suffisent.

La machine doit être vissée sur le socle ou sur un établi solide.

Assurer la machine pour qu'elle ne tombe pas.

Pour des raisons techniques d'emballage la machine n'est pas complètement montée à la livraison.

5.2 Montage

Si vous constatez des dégâts de transport lors du déballage, avertissez immédiatement votre fournisseur et ne montez pas la machine.

Eliminer l'emballage dans le respect de l'environnement.

Enlever la protection antirouille avec un dissolvant doux

Monter les 3 poignées de volant sur les volants (A, E, G Fig 1).

5.3 Raccordement au réseau électr.

Le raccordement ainsi que les rallonges utilisées doivent correspondre aux instructions.

Le voltage et la fréquence doivent être conformes aux données inscrites sur la machine.

Le fusible de secteur électrique doit avoir 10A.

Utiliser pour le raccordement des câbles H07RN-F.

Tous les travaux de branchement et de réparation sur l'installation électrique doivent être exécutés uniquement par un électricien qualifié.

Avant de connecter la machine au réseau, contrôler que l'interrupteur de direction : à gauche / 0 / à droite, est bien en position zéro (U, Fig 4).

5.4 Premier graissage

Avant la mise en service de la machine, il faut graisser tous les points d'huilage.

(Voir « Graissage », chapitre 8)

5.5 Mise en exploitation

Avant de mettre la machine en route, contrôler la fixation correcte des outils.

Avant de connecter la machine au réseau, contrôler que l'interrupteur de direction : à gauche / 0 / à droite est bien en position zéro (U, Fig 4).

La lampe témoin d'alimentation électrique (S, Fig 4) est allumée quand la machine est sous tension.

Pour mettre la machine sous tension, choisir la direction de rotation avec l'interrupteur de direction: à gauche / 0 / à droite (U, Fig 4).

Pour mettre la machine en route tourner le bouton sélecteur de vitesse (T) .

Pour arrêter la machine, tourner le bouton (T) à gauche sur le "0" en cliquant.

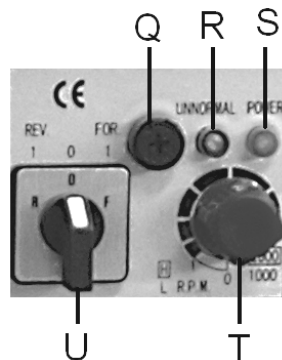


Fig 4

Si la machine n'est pas utilisée, la débrancher du réseau .

Sélecteur d'entraînement:

En fonction de la position du sélecteur d'entraînement (N, Fig 2) Les plages de rotation sont les suivantes :

I.....100 – 1000 T/min

II.....200 – 2000 T/min

Le sélecteur d'entraînement ne doit être utilisé que quand la machine est à l'arrêt!

Une fausse manœuvre peut entraîner des dommages sur l'alimentation électrique et sur l'entraînement.

Protection contre la surcharge du système électrique:

Le fusible coupe circuit (Q, Fig 4) a pour fonction de protéger le moteur et le système électronique.

Toujours déconnecter la machine du réseau avant de changer le fusible.

Lampe témoin de panne:

La lampe témoin de panne (R, Fig 4) indique une surcharge du moteur ou une erreur dans le système électrique.

6. Fonctionnement de la machine

Attention.

Avant les changements d'outils et les réglages, la machine doit toujours être assurée contre la mise en route.

Déconnecter la machine du réseau !

Garder les doigts à une distance suffisante de l'outil en rotation, du mandrin et des copeaux.

Ne retirer les copeaux que sur la machine arrêtée et à l'aide d'un crochet spécial.

Ne pas freiner le mandrin ou l'outil avec la main.

Ne jamais travailler en laissant le protecteur du mandrin ouvert.

S'assurer que le foret ne fera pas bouger la pièce.

Serrer la pièce à la table ou se servir d'un étau.

Toujours visser l'étau à la table.

Avant de débiter l'usinage, contrôler que la pièce d'œuvre et l'outil sont bien fixés.

Ne jamais travailler à main levée (en tenant la pièce d'œuvre sans appui).

Poser les pièces longues sur des supports roulants.

Régler la puissance de perçage de façon à ce que le foret perce rapidement.

Une vitesse trop lente entraîne l'usure prématurée du foret et des marques de brûlure sur la pièce ou l'outil et une vitesse trop rapide peut stopper le moteur ou casser le foret.

Ne pas utiliser d'outil en brosse métallique ou de ponçage sur cette machine

Ne jamais usiner du magnésium-Danger d'incendie!

Faire toutes les mesures et les réglages sur la machine à l'arrêt.

6.1 Choix de la vitesse de forage

La bonne vitesse dépend de la catégorie du travail, de la matière ainsi que des dimensions de l'outil et de la pièce d'œuvre.

Les données conseillées ci-dessous se rapportent à un outil de 10 mm de diamètre et à un usinage avec un outil en acier rapide (HSS), par ex mèche en spirale.

Aluminium, Laiton 1500 T/min

Fonte grise: 1000 T/min

Acier (C15): 800 T/min

Acier (C45): 600 T/min

Acier inoxydable: 300 T/min

La vitesse peut être env. 5 fois plus importante pour le travail avec un outil en acier dur (HM).

En règle générale plus le diamètre de forage est élevé, plus le nombre de tours possibles est faible.

Par exemple:

Un acier (C15) de 20mm de diamètre permet une vitesse de

400 T/min avec outil en HSS
2000 T/min avec outil en HM

Important:

Pour couper des filets, il faut choisir une vitesse lente.

7. Changement d'outils et réglages

Remarque

Avant les changements d'outils et les réglages, la machine doit toujours être assurée contre la mise en route.

Déconnecter la machine du réseau !

7.1 Changement du mandrin de fraisage

Retirer le protecteur de la barre d'entraînement (K, Fig 1).

Débloquer la barre d'entraînement

Dévisser la barre d'entraînement par 2 ou au maximum 3 tours.

Avec un marteau en caoutchouc, dégager le mandrin de fraisage de l'arbre, par un coup sec sur la barre d'entraînement..

7.2 Mouvement lent de la douille

Pour utiliser le mouvement lent de la douille (A, Fig 1), appuyer sur la poignée marche/arrêt (O, Fig 2).

7.3 Pivotement colonne verticale

Pour faire basculer la colonne verticale, retirer les vis CHC (D, Fig 1).

On peut faire basculer la colonne verticale à 45° à gauche et à 45° à droite.

8. Entretien et inspection

Attention

Faire tous les travaux de maintenance, réglage ou nettoyage après avoir débranché la machine du réseau.

Nettoyer la machine régulièrement.

Remplacer immédiatement les dispositifs de protection endommagés ou usés

Tous travaux de branchement et de réparation sur l'installation électrique doivent être exécutés uniquement par un électricien qualifié.

8.1 Graissage hebdomadaire:

DIN 51502 CG ISO VG 68
(par ex. BP Maccurat 68, Castrol Magna BD 68, Mobil Vectra 2)

- Broche d'entraînement X/Y/Z

Graisser sur toute la longueur

- Volants X/Y/Z

Graisser les graisseurs

- Glissières des chariots X/Y/Z

Graisser sur toute la longueur

- Douille de broche

Graisser sur toute la longueur.

8.2 Ajustage course du chariot

Les glissières du chariot X/Y/Z sont munies de vis de réglage sur les côtés.

8.3 Ajustage de l'écrou de broche

Les broches d'entraînement X/Y (112, 113) sont munies d'un écrou réglable (fendu).

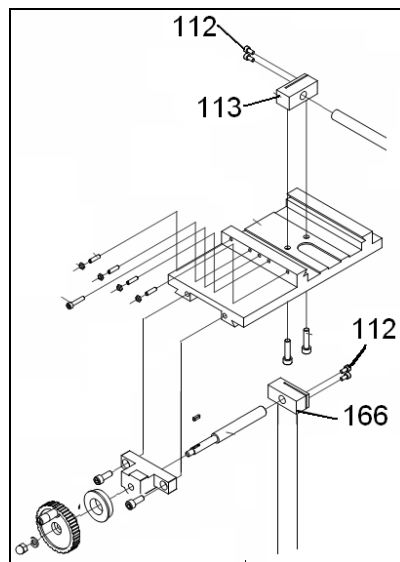


Fig 5

Serrer les vis (112) pour réduire le jeu inverse de l'écrou.

9. Détecteur de pannes

Moteur ne se met pas en route

*Pas de courant-
Vérifier le fusible.

*Défaut au moteur, bouton ou câble-
Contacter un électricien qualifié.

Vibrations de la machine

*Machine n'est pas à plat-
Equilibrer la machine.

*L'outil est instable-
Réduire la longueur de l'outil

*Les chariots ont du jeu-
Régler les glissières.

*Les glissières des chariots sont trop sèches-
Huiler les glissières des chariots.

*La douille de broche est sèche-
Huiler la douille.

*Outils usés-
Aiguiser les outils ou les changer

*Pression de coupe trop forte-
Réduire la profondeur de coupe ou l'entraînement.

*Broche d'entraînement a un jeu inverse-
Ajuster l'écrou de broche

Outils surchauffés

*Vitesse de forage trop haute-
Réduire la vitesse.

*Outil émoussé-
Aiguiser l'outil.

Déviations du trou de perçage

*Foret asymétrique-
Aiguiser le foret correctement

*Trou de perçage décalé-
Utiliser l'alésoir de centrage.

*Foret déformé-
Remplacer le foret.

*Foret non serré correctement-
Monter le foret correctement.

10. Protection de l'environnement

Protégez l'environnement !

Votre appareil comprend plusieurs matières premières différentes et recyclables. Pour éliminer l'appareil usagé, veuillez l'apporter dans un centre spécialisé de recyclage des appareils électriques.

11. Accessoires

Voir liste de prix JET.