

JET

JTS-10

Table Saw

10000801M/U
230/50-60/1

PARTS LIST

Walter Meier (Fertigung) AG

Bahnstrasse 24

8603 Schwerzenbach

Switzerland

Phone +41 44 806 47 48

Fax +41 44 806 47 58

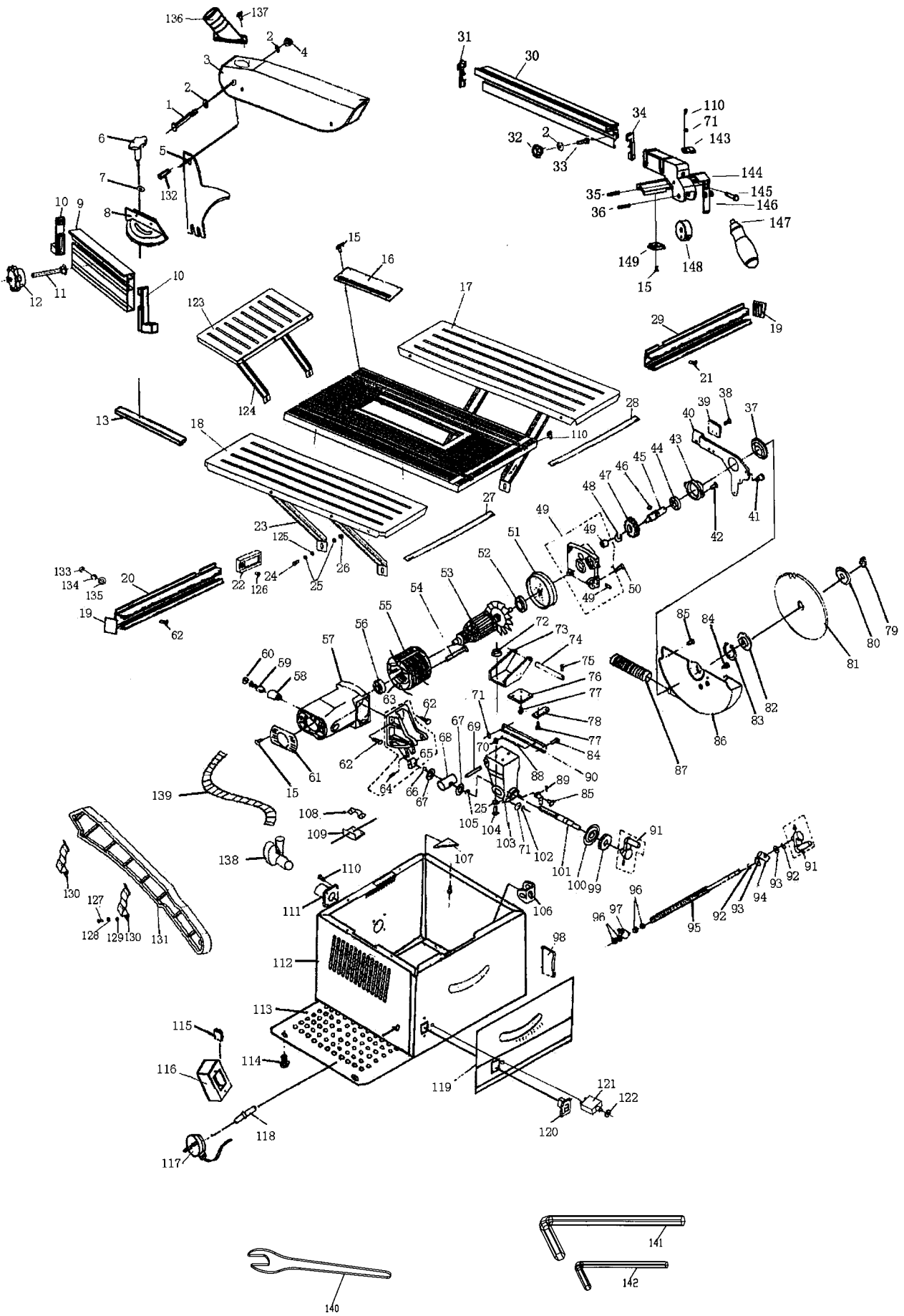
jetinfo.eu@waltermeier.com

www.jettools.com



P-10000801M/U 2009/08/22

Parts Breakdown For JTS-10 Table Saw



Parts List For JTS-10 Table Saw

Index No.	Part No.	Description	Size	Qty.
1	JTS10-001	Square neck bolt	6x50	1
2	JTS10-002	Washer	6	3
3	JTS10-003	Upper guard		1
4	JTS10-004	lock nut	M6	1
5	JTS10-005	Follow blade		1
6	JTS10-006	knob		1
7	JTS10-007	Washer		1
8	JTS10-008	Angle guage		1
9	JTS10-009	Guide pipe		1
10	JTS10-010	Fixed press paw A		2
11	JTS10-011	Bolt		1
12	JTS10-012	Knob		1
13	JTS10-013	Guide bar		1
14	JTS10-014	Work table		1
15	JTS10-015	Screw	M4x8	13
16	JTS10-016	Table insert		1
17	JTS10-017	Accessory work table B		1
18	JTS10-018	Accessory work table A		1
19	JTS10-019E	Scale base press paw		2
20	JTS10-020E	Left scale base		1
21	JTS10-021	Hexgan screw		5
22	JTS10-022E	Joint		1
23	JTS10-023	Support		4
24	JTS10-024	Bolt	M6x16	21
25	JTS10-025	Washer	6	31
26	JTS10-026	Nut	M6	12
27	JTS10-027E	Left scale		1
28	JTS10-028E	Right scale		1
29	JTS10-029E	Right scale base		1
30	JTS10-030	Rip fence profile		1
31	JTS10-031	Fixed press paw B		1
32	JTS10-032	knob		1
33	JTS10-033	Carriage bolt		1
34	JTS10-034	Fixed press paw A		1
35	JTS10-035	Pin A		1
36	JTS10-036	Pin B		1
37	JTS10-037	Fixed ring		1
38	JTS10-038	Screw	M6x12	2
39	JTS10-039	Fixed press plate		1
40	JTS10-040	Lower guard bracket		1
41	JTS10-041	Flat-headed pin		1
42	JTS10-042	Screw	M4x10	2
43	JTS10-043	Gear cover		1
44	JTS10-044	Bearing	6003	1
45	JTS10-045	Gear shaft		1
46	JTS10-046	Key	5x5x12	1
47	JTS10-047	Gear	43gears	1
48	JTS10-048	Retaining ring	15	1
49	JTS10-049	Gear box		1
50	JTS10-050	Screw	M5x34	4
51	JTS10-051	Inside ring		1
52	JTS10-052	Bearing	6002	1
53	JTS10-053	Rotor		1

54	JTS10-054	Screw	M5x64	2
55	JTS10-055	Stator		1
56	JTS10-056	Bearing	6001	1
57	JTS10-057	Motor housing		1
57A	JTS10-057A	Motor assembly incl. gear (No 42-61)		1
58	JTS10-058	Carbon holder		2
59	JTS10-059	Carbon brush		2
60	JTS10-060	Brush cap		2
61	JTS10-061	Tail cover		1
62	JTS10-062	Screw	M5x15	12
63	JTS10-063	Motor base		1
64	JTS10-064	Spring pin	6x12	4
65	JTS10-065	Pivot block		1
66	JTS10-066	Retaining ring	12	2
67	JTS10-067	Washer	16	1
68	JTS10-068	Ascend & descend plate		1
69	JTS10-069	Spring pin	8x70	2
70	JTS10-070	Hex nut	M6	1
71	JTS10-071	Washer	4	2
72	JTS10-072	Hex Nut	M8	4
73	JTS10-073	Lock Plate		1
74	JTS10-074	Shaft		4
75	JTS10-075	Spring pin	4x12	1
76	JTS10-076	Fixed press plate A		1
77	JTS10-077	Screw	M8x20	1
78	JTS10-078	Fixed press plate B		1
79	JTS10-079	Hex Nut	M16x1.5	4
80	JTS10-080	Outside flange		1
81	JTS10-081	Blade		1
82	JTS10-082	Inside flange		1
83	JTS10-083	Ring	40	1
84	JTS10-084	Screw	M4x6	2
85	JTS10-085	Screw	M4x12	1
86	JTS10-086	Low guard		1
87	JTS10-087	Dust hose		1
88	JTS10-088	Coil spring		1
89	JTS10-089	Angle indicator		1
90	JTS10-090	Spring support		1
91	JTS10-091	Crank		2
92	JTS10-092	Retaining ring	6	2
93	JTS10-093	Flat washer		2
94	JTS10-094	Pivot block		1
95	JTS10-095	Angle adjustable screw		1
96	JTS10-096	Hex nut	M10	4
97	JTS10-097	Adjust pin	3x20	1
98	JTS10-098	Side label		1
99	JTS10-099	Locking hand wheel		1
100	JTS10-100	Elevating plate		1
101	JTS10-101	Ascend & descend arbor		1
102	JTS10-102	Spring washer	4	1
103	JTS10-103	Locking bracket		1
104	JTS10-104	Bolt	M6x12	4
105	JTS10-105	Ring	12	1
106	JTS10-106	Fixed base		1
107	JTS10-107	Trilateral iron plate		1

108	JTS10-108	Cord press board		1
109	JTS10-109	Cord press board base		1
110	JTS10-110	Screw	M4x8	7
111	JTS10-111	Dust port		1
112	JTS10-112	Base box		1
113	JTS10-113	Low cover plate		1
114	JTS10-114	Screw	M5x4	4
115	JTS10-115	Capacitor		1
116	JTS10-116	Switch box		1
117	JTS10-117	Power cord		1
118	JTS10-118	Cord guard		1
119	JTS10-119	Name plate		1
120	JTS10-120	Switch	KJB240V	1
121	JTS10-121	Circuit breaker		1
122	JTS10-122	Hex nut		1
123	JTS10-123	Accessory work table C		1
124	JTS10-124	Support		1
125	JTS10-125	Spring washer	5	12
126	JTS10-126	Screw	M3x6	1
127	JTS10-127	Screw	M3x6	4
128	JTS10-128	Flat washer	3	4
129	JTS10-129	Spring washer	3	4
130	JTS10-130	Push pole nip		2
131	JTS10-131	Push pole		1
132	JTS10-132	Spring pin	3x12	1
133	JTS10-133	Nut	M5	8
134	JTS10-134	Spring washer	5	8
135	JTS10-135	Washer	5	8
136	JTS10-136	Dust port		1
137	JTS10-137	Screw	ST4x10	4
138	JTS10-138	Y-adapter for dust collection		1
139	JTS10-139	Hose for dust collection		1
140	JTS10-140	Wrench for blade change		2
141	JTS10-141	Hex key 5mm		1
142	JTS10-142	Hex key 4mm		1
143	JTS10-143	Indicator		1
144	JTS10-144	Fence base		1
145	JTS10-145	Scerw	M6	1
146	JTS10-146	Pressing paw		1
147	JTS10-147	Handle		1
148	JTS10-148	Eccentric wheel		1
149	JTS10-149	Plate		1
	JTS10-150	Rip fence assembly (30-36, 143-149)		1

JTS-10 wiring diagram ~230V, 50-60Hz

colour of strands	Litzenfarben	couleur des cordons
BK	schwarz	noir
BU	blau	bleu
BN	braun	brun
GNYE	grün-gelb	vert-jaune

meaning of symbol	Bedeutung der Zeichen	interprétation
M	Motor	moteur
S	Schalter	interrupteur
C	Kondensator	condensateur
OL	Überlastschutzschalter	déclencheur surcharge

