

# **JET**

**JTS-8**

**Table Saw**

**10000800M/U.....230/50/1**

**10000800SA.....230/60/1**

## **PARTS LIST**

**Walter Meier (Fertigung) AG**

Bahnstrasse 24

8603 Schwerzenbach

Switzerland

Phone +41 44 806 47 48

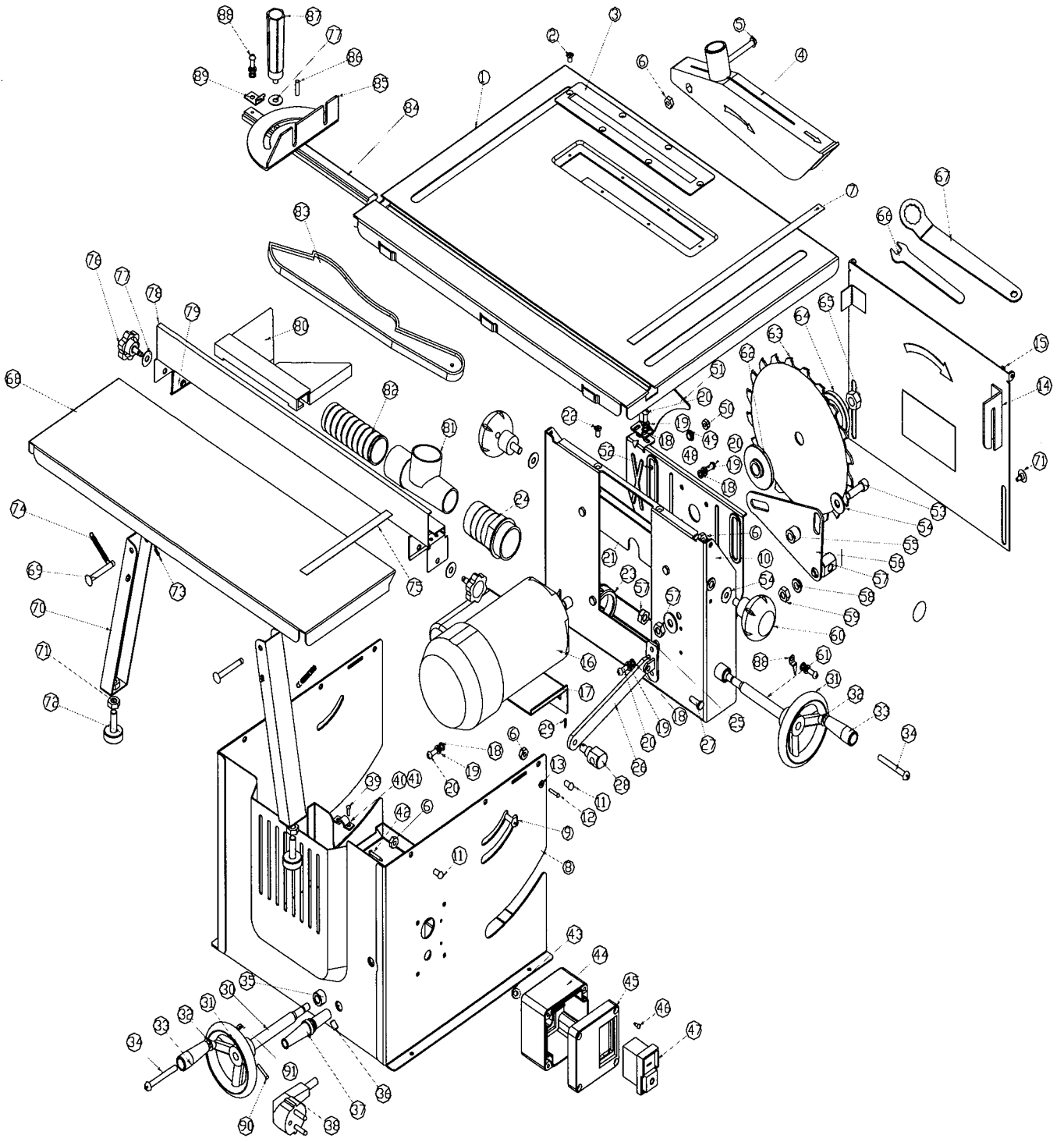
Fax +41 44 806 47 58

[jetinfo.eu@waltermeier.com](mailto:jetinfo.eu@waltermeier.com)

[www.jettools.com](http://www.jettools.com)



# Parts Breakdown For JTS-8 Table Saw



## Parts List For JTS-8 Table Saw

Index No.	Part No.	Description	Size	Qty.
1	JTS8-001	Main worktable	513X400	1
2	JTS8-002	Screw	M4X6	6
3	JTS8-003	Table insert	PA6-GF30	1
4	JTS8-004	Blade guard	ABS	1
5	JTS8-005	Screw	M6X30	1
6	JTS8-006	Nut	M6	6
7	JTS8-007	Measurement scale of table		2
8	JTS8-008	Housing of cabinet		1
9	JTS8-009	Screw	M6X16	2
10	JTS8-010	Moveable blade guard		1
11	JTS8-011	Screw	M6X12	4
12	JTS8-012	Screw	M3X16	2
13	JTS8-013	washer		2
14	JTS8-014	Right side cover assembly		1
15	JTS8-015	Screw	M3	2
16	JTS8-016	Motor 230/50/1		1
	JTS8-016SA	Motor 230/60/1		1
17	JTS8-017	Motor bracket		1
18	JTS8-018	Washer	5	8
19	JTS8-019	Spring washer	5	8
20	JTS8-020	Screw	M5X12	8
21	JTS8-021	Protection board		1
22	JTS8-022	Screw	M5X8	2
23	JTS8-023	Dust port	ABS	1
24	JTS8-024	Dust port cap	ABS	1
25	JTS8-025	Rod Base assembly		1
26	JTS8-026	Rod	Q235	1
27	JTS8-027	Pin		1
28	JTS8-028	Nut for angle adjustment	Steel 45#	1
29	JTS8-029	Pin	2.5X14	2
30	JTS8-030	Screw rod for angle adjustment	Steel 45#	1
31	JTS8-031	Hand wheel assembly (31, 32, 33)	PA6-GF30	2
32	JTS8-032	Nut	M6	2
33	JTS8-033	Wheel handle	ABS	2
34	JTS8-034	Screw	M6X54	2
35	JTS8-035	Spacer	Steel 45#	1
36	JTS8-036	Screw	M5X8	1
37	JTS8-037	Strain relief	Rubber	1
38	JTS8-038	Power cable	VDE	1
39	JTS8-039	Screw	M4X16	2
40	JTS8-040	Cable sleeve	Q235A	1
41	JTS8-041	Nut	M4	2
42	JTS8-042	Screw	ST4X22	4
43	JTS8-043	Inner wire sleeve		1
44	JTS8-044	Switch box	ABS	1
45	JTS8-045	Top cover of switch box	PA6-GF30	1
46	JTS8-046	Screw	ST4X12	4
47	JTS8-047	Switch 230V	KJD6	1
48	JTS8-048	Rip board	Q235A	1
49	JTS8-049	Spacer	Steel 45#	4
50	JTS8-050	Nut	M5	4
51	JTS8-051	Splitter	Steel 45#	1
52	JTS8-052	Nut	Q235A	1
53	JTS8-053	Screw	M8X30	1
54	JTS8-054	Washer	8	4
55	JTS8-055	Sleeve	Steel 45#	1
56	JTS8-056	Bracket	Q235A	1
57	JTS8-057	Base for height adjustment	Q235A	1
58	JTS8-058	Sleeve	Steel 45#	1
59	JTS8-059	Nut	M8	3
60	JTS8-060	Locking knob		1
61	JTS8-061	Screw rod for height adjustment	Steel 45#	1
62	JTS8-062	Inner arbor flange	ZL102	1
63	JTS8-063	Blade		1
64	JTS8-064	Outer arbor flange	ZL102	1
65	JTS8-065	Arbor Nut	M12	1
66	JTS8-066	Open wrench	65 Mn	1
67	JTS8-067	Closed Wrench	65 Mn	1
68	JTS8-068	Extension table assembly (68 – 74)		1
69	JTS8-069	Pin	Q235A	2
70	JTS8-070	Leg of extension table		1

### Parts List For JTS-8 Table Saw

Index	Part No.	Description	Size	Qty.
71	JTS8-071	Nut	M8	2
72	JTS8-072	Adjusting bolt	PA6	2
73	JTS8-073	Leg		1
74	JTS8-074	Spring		2
75	JTS8-075	Measurement scale for extension		2
76	JTS8-076	Locking knob	ABS	2
77	JTS8-077	Washer		3
78	JTS8-078	Rip fence assembly (76, 77, 78, 79)		1
79	JTS8-079	Locking plate	Q235A	1
80	JTS8-080	Slide guage	ABS	1
81	JTS8-081	Y hose	ABS	1
82	JTS8-082	Soft tube		1
83	JTS8-083	Pushing handle	ABS	1
84	JTS8-084	Rod of Mitre guage	LF2	1
85	JTS8-085	Mitre guage assembly (84 – 89)	Q235A	1
86	JTS8-086	Pin of Mitre guage	Q235A	1
87	JTS8-087	Handle of Mitre guage	ABS	1
88	JTS8-088	Screw	M5X8	2
89	JTS8-089	Pointer of Mitre guage	Q235A	1
90	JTS8-090	Screw	M3X27	2
91	JTS8-091	Nut	M3	2