

JET

MBS-56CS

Metal Working Bandsaw

50000320M

230/50/1

PARTS LIST

Walter Meier (Fertigung) AG

Bahnstrasse 24

8603 Schwerzenbach

Switzerland

Phone +41 44 806 47 48

Fax +41 44 806 47 58

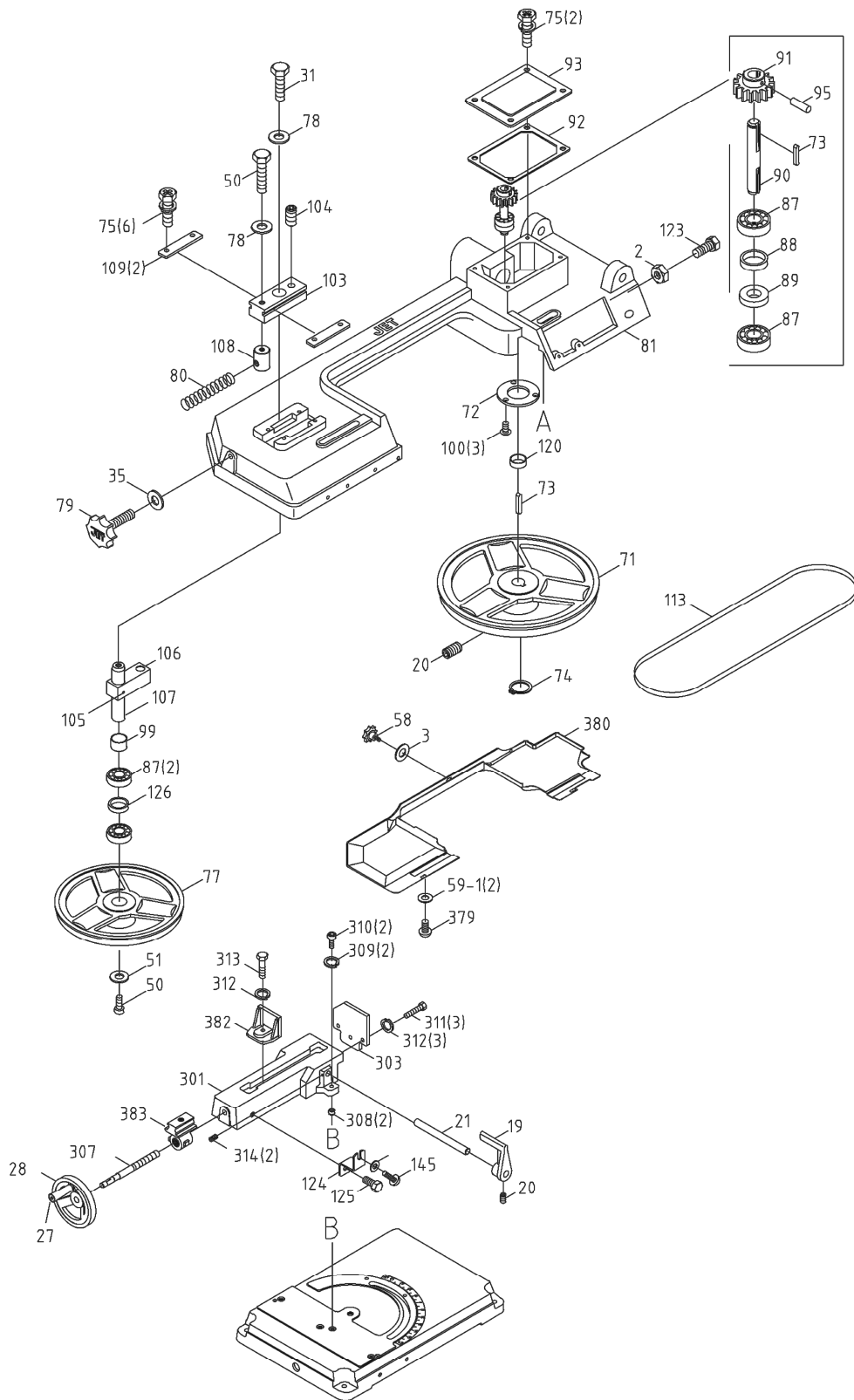
jetinfo.eu@waltermeier.com

www.jettools.com

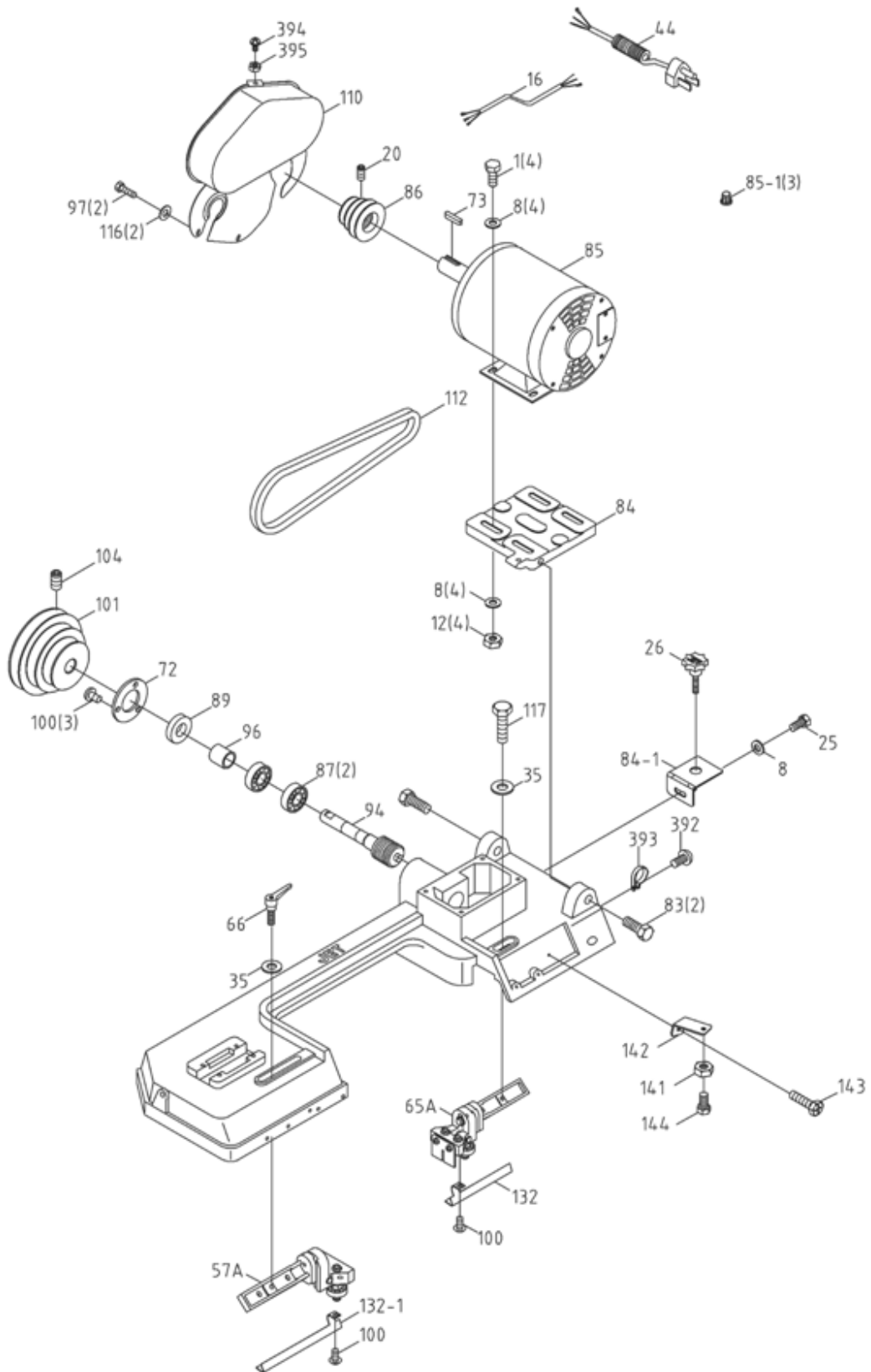


P-50000320M 2009/08/31

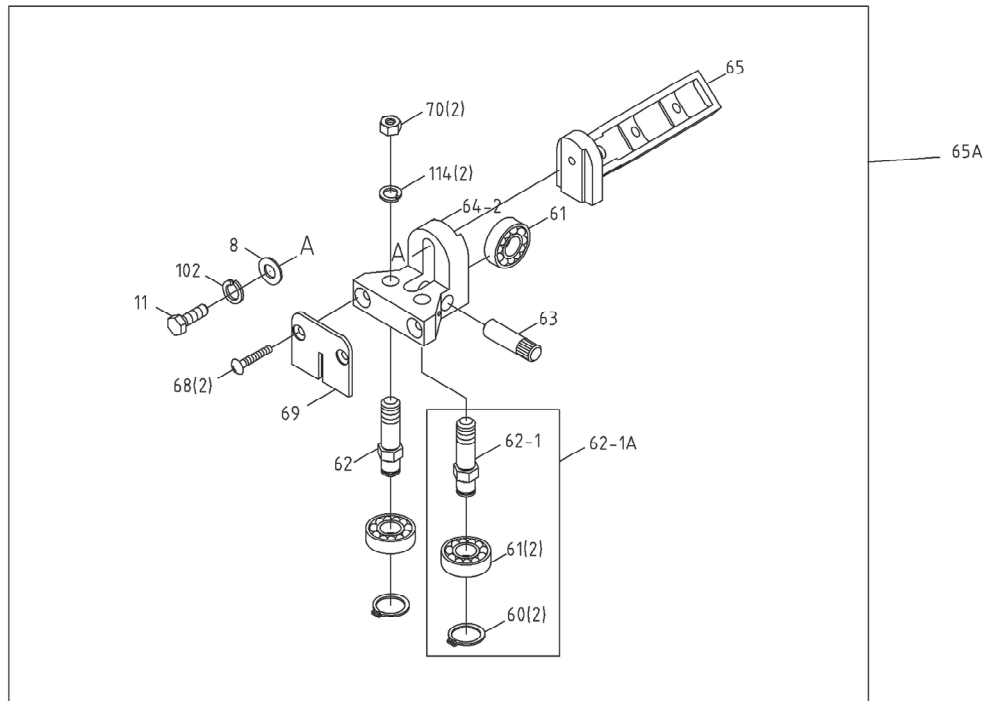
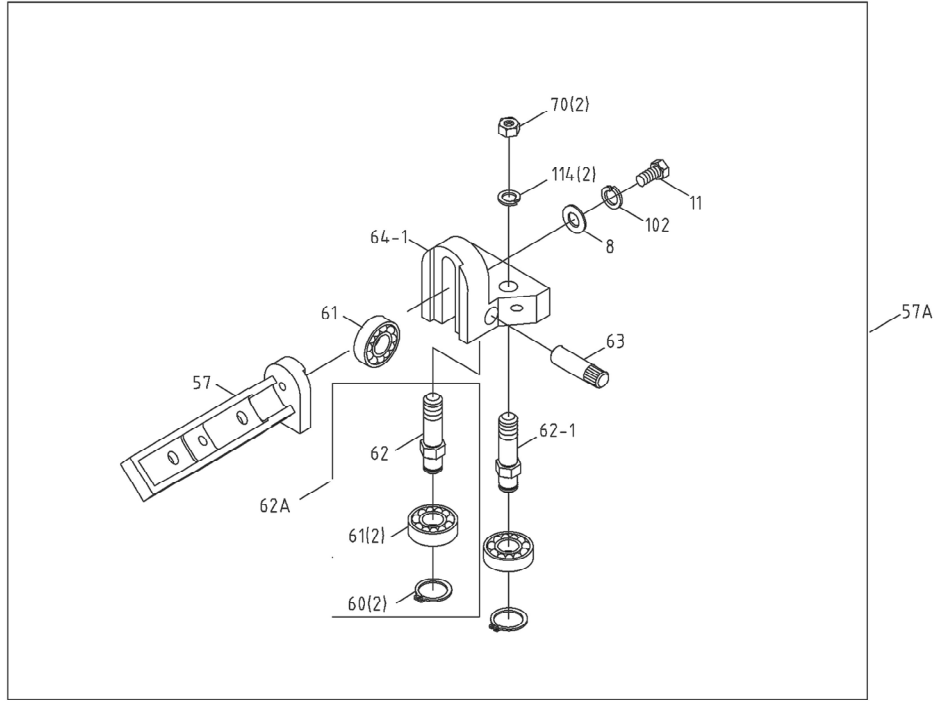
Breakdown for Bow Assembly



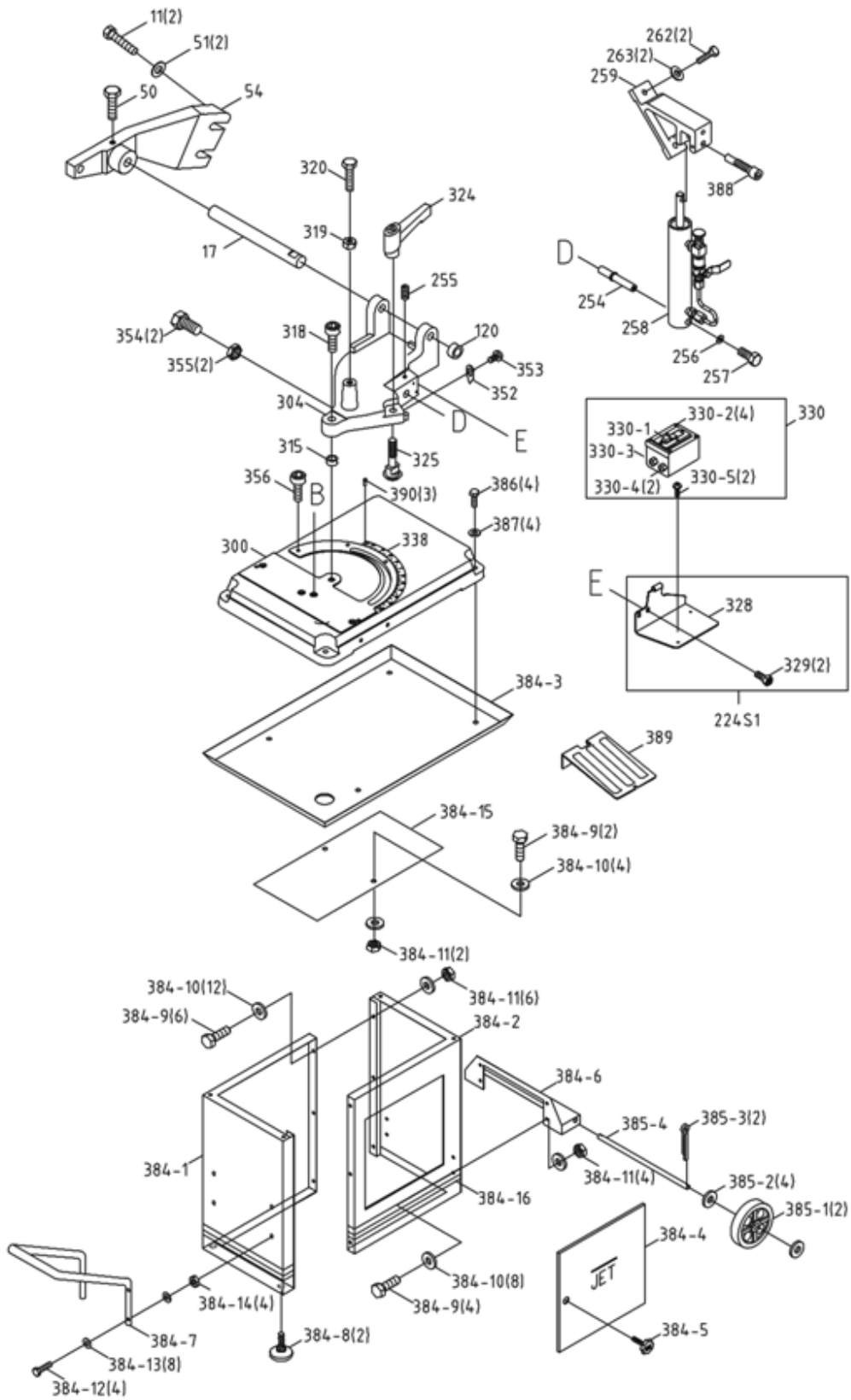
Breakdown for Bow Assembly



Breakdown for blade guide Assembly



Breakdown for Base Assembly



Parts List for the MBS-56CS Bandsaw

Index No.	Part No.	Description	Size	Qty.
1.....	TS-0051031	Hex Cap Bolt.....	5/16"x3/4"	4
2.....	TS-0561011	Hex Nut.....	1/4".....	1
3.....	TS-0680021	Flat Washer	1/4".....	4
8.....	TS-0680031	Flat Washer	5/16".....	11
11	TS-0051051	Hex Cap Bolt.....	5/16"x1"	4
12	TS-0561021	Hex Nut.....	5/16".....	4
16	HVBS462-016.....	Electric Cord.....		1
17	HVBS462-017.....	Pivoting Rod.....		1
19	HVBS462-019.....	Stock Stop		1
20	TS-0270021	Socket Set Screw.....	5/16"x5/16"	4
21	HVBS462-021	Stock Stop Rod		1
24	TS-0561021	Hex Nut.....	5/16".....	1
25	TS-0051031	Hex Cap Bolt.....	5/16"x3/4"	1
26	HVBS56M-026E.....	Plum Knob.....		1
27	HVBS462-027.....	Wheel Handle.....		1
28	HVBS462-028.....	Hand Wheel.....		1
31	HVBS56M-031.....	Screw.....	5/16"x1"	1
35	TS-0680041	Flat Washer	3/8"x1"	3
44	HB56M-044.....	Electric Cable		1
50	TS-0081031	Hex Cap Bolt.....	5/16"x3/4"	3
51	TS-0680031	Flat Washer	5/16".....	3
54	MBSS56CS-054E.....	Pivot Bracket.....		1
57	HVBS56M-057.....	Adjustable Bracket LH.....		1
57A.....	HVBS56M-057A.....	Adjustable Bracket Assembly LH.....		1
58	HVBS462-058.....	Knob.....	1/4"	1
60	HVBS462-060.....	C-Clip.....	S10.....	4
61	BB-6000ZZ.....	Ball Bearing.....	6000ZZ.....	6
62	HVBS462-062.....	Guide Pivot.....		2
62A.....	HVBS462-062A.....	Center Shaft Assembly (Includes: #60-62).....		1
62-1	HVBS462-062-1	Centrifugal Guide Pivot.....		2
62-1A.....	HVBS462-062-1A.....	Eccentric Shaft Assembly (Includes: #60,61,62-1).....		1
63	HVBS462-063.....	Bearing Shaft Pin.....		2
64-1	HVBS462-064-1	Blade Seat Left.....		1
64-2	HVBS462-064-2	Blade Seat Right.....		1
65	HVBS56M-065.....	Adjustable Bracket RH.....		1
65A.....	HVBS56M-065A.....	Adjustable Bracket Assembly RH.....		1
66	HVBS56M-066.....	Lock Knob.....		1
68	TS-0813021	Flat Head Machine Screw	1/4"X3/8".....	2
69	HVBS462-069.....	Deflector Plate.....		1
70	TS-0561031	Hex Nut.....	3/8".....	4
71	HVBS462-071.....	Blade Wheel Drive		1
72	HVBS462-072.....	Bearing Cover		2
73	HVBS462-073.....	Key.....	5x5x25	3
74	HVBS56M-060.....	C-Clip.....	S15.....	1
75	HVBS462-075.....	Hex Cap Bolt (w/Washer).....	1/4"x1/2"	6
77	HVBS462-077.....	Idle Blade Wheel.....		1
78	TS-0680031	Flat Washer	5/16".....	2
79	HVBS462-079.....	Blade Tension Knob	3/8".....	1
80	HVBS462-080.....	Spring.....		1
81	HVBS56M-081.....	Saw Bow.....		1
83	TS-0070031	Cap Screw.....	1/2"x1-1/2"	2
84	HVBS56M-084.....	Motor Mount Plate.....		1
84-1	HVBS56M-084-1	Tension Bracket.....		1

Index No.	Part No.	Description	Size	Qty.
85	HVBS463-085E	Motor	1/2HP/1ph/230V	1
	HVBS56M-085OLE	Overload Protection	4A	1
	HVBS56M-085CE	Capacitor Cover (not shown)		1
	HVBS56M-085CAE	Capacitor (not shown)	200MFD,125VAC	1
	HVBS56M-085FE	Fan (not Shown)		1
	HVBS56M-085FCE	Fan Cover (not shown)		1
86	HVBS462-086	Motor Pulley		1
87	BB-6202ZZ	Ball Bearing	6202ZZ	6
88	HVBS462-088	Bearing Bushing		1
89	OS-15375	Oil Seal		2
90	HVBS462-090	Transmission Wheel Shaft		1
91	HVBS462-091	Worm Gear		1
92	HVBS462-092	Gear Box Gasket		1
93	HVBS462-093	Gear Box Cover		1
94	HVBS462-094	Worm Gear (w/Shaft)		1
95	HVBS462-095	Spring Pin		1
96	HVBS462-096	Bearing Bushing		1
97	TS-0050011	Hex Cap Bolt	1/4"x1/2"	2
97-1	HBS56S-97-1	Washer	1/4"	2
99	HVBS462-099	Spacer		1
100	HVBS462-100	Flat Cross Head Screw	5/32"x3/8"	8
101	HVBS462-101	Worm Gear Pulley		1
102	TS-0720081	Lock Washer	5/16"	2
103	HVBS462-103	Blade Tension Sliding Plate		1
104	TS-0270051	Socket Set Screw	5/16"x1/2"	2
105	HVBS462-105	Spring Pin		1
106	HVBS462-106	Sliding Plate Draw Block		1
107	HVBS462-107	Blade Wheel Shaft		1
108	HVBS462-108	Shaft Block		1
109	HVBS462-109	Blade Tension Sliding Guide		2
110	HVBS462-110	Motor Pulley Cover Assembly		1
112	VB-A22	V-Belt	A22	1
113	414301	Blade		1
114	TS-0680041	Flat Washer	3/8"	4
117	TS-0090061	Hex Screw	3/8"x1-1/4"	1
120	HVBS462-120	Bushing		2
123	TS-0050031	Cap Screw	1/4"x3/4"	1
124	HVBS463-124	Machine Screw	3/16"x3/4"	1
125	TS-0051031	Hex Cap Bolt	5/16"x3/4"	1
126	HVBS462-126	Bushing		1
132	HVBS462-132	Blade Guard-Right		1
132-1	HVBS462-132A	Blade Guard-Left		1
159-1	HBS56S-159-1	Nut		1
141	TS-0561021	Hex. Nut	5/16"	1
142	HBS56S-142	Switch Cut Off Trip		1
143	TS-0050011	Hex Cap Screw	1/4"x1/2"L	1
144	TS-0813021	Flat Head Machine Screw	1/4"x3/8"	2
145	TS-0813021	Flat Head Machine Screw	1/4"x3/8"	1
254	HBS56S-254	Support Rod		1
255	TS-0267032	Socket Set Screw	1/4"x5/16"	1
256	TS-0680011	Flat Washer	3/16"	1
257	HBS56S-257	Hex Cap Bolt	3/16"x3/8"	1
258	HBS56S-258	Cylinder Assembly		1
259	HBS56S-259	Cylinder Upper Support		1
262	TS-0050051	Hex Cap Bolt	1/4"x1"	2

Index No.	Part No.	Description	Size	Qty.
263	TS-0720071	Spring Washer	1/4"	2
300	HBS56S-300	Stand Top		1
301	HBS56S-301	Working table		1
303	HBS56S-303	Wall plate		1
304	HBS56S-304	Swivel Base(Upper)		1
307	HBS56S-307	Acme Screw		1
308	HBS56S-308	Bushing		2
309	TS-0680011	Flat Washer	3/16"	2
310	TS-0208081	Hex. Socket Head Screw	5/16"x1-1/2"	2
311	TS-0081031	Hex Cap Bolt	5/16"x3/4"	3
312	TS-0680032	Flat Washer	5/16"	5
313	TS-0208071	Hex. Socket Head Screw	5/16"x1-1/4"	2
314	TS-0267041	Set Screw	1/4"x3/8"	2
315	HBS56S-315	Positioning Ring		1
316	TS-0561011	Hex Nut	1/2"	1
318	TS-0070071	Hex Cap Bolt	1/2"x2 1/2"L	1
319	TS-0561031	Hex Nut	3/8"	1
320	TS-0070071	Hex Cap Bolt	1/2"x2-1/2"	1
324	HBS56S-324	Handle		1
325	HBS56S-325	Carriage Screw	3/8"	1
328	HBS56S-328	Switch Base		1
329	HBS56S-329	Cross Round Head Screw	3/16"x3/8"	2
330	HBS56S-330	Switch		1
330-1	HBS56S-330-1	ON/OFF Switch		1
330-2	HBS56S-330-2	Screw		4
330-3	HBS56S-330-3	Electrical Box		1
330-4	HBS56S-330-4	Cable Connector		2
330-5	HBS56S-330-5	Screw		2
338	HBS56S-338	Scale		1
350	TS-0570011	Hex Nut	1/4"	4
351	TS-0050031	Hex Cap Bolt	1/4"x3/4"	4
352	HBS56S-352	Scale		1
353	HBS56S-353	Cross Round Head Screw	3/16"x1/2"	1
354	TS-0050051	Hex Cap Bolt	1/4"x1"	2
355	TS-0570011	Hex. Nut	1/4"	2
356	HBS56S-356	Hex Cap Bolt	5/16"x1"	1
379	HVBS462-379	Cross Round Head Screw	1/4"-20x3/8"	2
380	HVBS56M-380	Blade Back Safety Cover		1
382	HBS56S-382	Movable vise plate		1
383	HBS56S-383	Bracket		1
384	HBS56S-384	Stand Complete Assembly		1
384-1	HBS56S-384-1	Side Plate(left)		1
384-2	HBS56S-384-2	Side Plate(Right)		1
384-3	HBS56S-384-3	Chip Pan		1
384-4	HBS56S-384-4	Front Door		1
384-5	HBS56S-384-5	Knob		1
384-6	HBS56S-384-6	Wheel Base		1
384-7	HBS56S-384-7	Hand Rod		1
384-8	HBS56S-384-8	Rubber Head Screw		2
384-9	TS-0051081	Hex. Head Screw	5/16" -18x3/4"	12
384-10	HBS56S-384-10	Flat Washer	5/16"x23xt2mm	24
384-11	HBS56S384-11	Hex.Nut	5/16"-18	12
384-12	TS-0051071	Hex.Head Screw	5/16"-18x1-1/2"	4
384-13	TS-0680031	Flat Washer	5/16" x 23xt2mm	8
384-14	TS-0561021	Hex .Nut	5/16"-18	4

Index No.	Part No.	Description	Size	Qty.
384-15	HBS56S-384-15	Plate		1
384-16	HBS56S-384-16	Color Strip		1
385	HBS56S-385	Wheel Complete Assembly		1
385-1	HBS56S-385-1	Wheel		1
385-2	HBS56S-385-2	Flat Washer	5/8"x30xt3	4
385-3	HBS56S-385-3	Pin	3x25	2
385-4	HBS56S-385-4	Wheel Rod		1
386	TS-0060061	Hex Head Screw	3/8"-16x1-1/4"	4
387	TS-0680041	Flat Washer	3/8"x20xt2	4
388	HBS56S-388	Cap Screw		1
389	HBS56S-389	Protect Plate		1
390	HBS56S-390	Rivet	Ø2x5	3
392	TS-081C022	Cross Round Head Screw	3/16" -24x3/8"	1
393	HBS56S-393	Wire Ring		1
394	TS-081C032	Cross Round Head Screw	3/16"-24x1/2"	1
395	HBS56S-395	Hex. Nut	3/16"	1

MBS-56CS 50000320M

230/50/1

	colour of strands	Litzenfarben	couleur des cordons
BK	black	schwarz	noir
WH	white	weiß	blanc
BU	blue	blau	bleu
YE	yellow	gelb	jaune
RD	red	rot	rouge
BN	brown	braun	brun
GY	grey	grau	gris
GNYE	green-yellow	grün-gelb	vert-jaune
OG	orange	orange	orange
VT	violet	violett	violet

	meaning of symbol	Bedeutung der Zeichen	interprétation
M	motor	Motor	moteur
S	switch	Schalter	interrupteur
C	condenser	Kondensator	condensateur
E	electronic unit	Elektronik Einheit	unité électronique
F	fuse	Sicherung	fusible
RS	reversing switch	Drehrichtungsschalter	commu. droite/gauche
CS	centrifugal switch	Fliehkraftschalter	déclencheur centrifuge
OL	overload cut-off	Überlastschutzschalter	déclencheur surcharge
LS	limit switch	Positionsendschalter	micro

