

JET

MBS-708CS

Metal Working Bandsaw

50000331T

400/50/3

**PARTS LIST
ERSATZTEILLISTE
LISTE DE PIÈCES**

Walter Meier (Fertigung) AG

Bahnstrasse 24

8603 Schwerzenbach

Switzerland

Phone +41 44 806 47 48

Fax +41 44 806 47 58

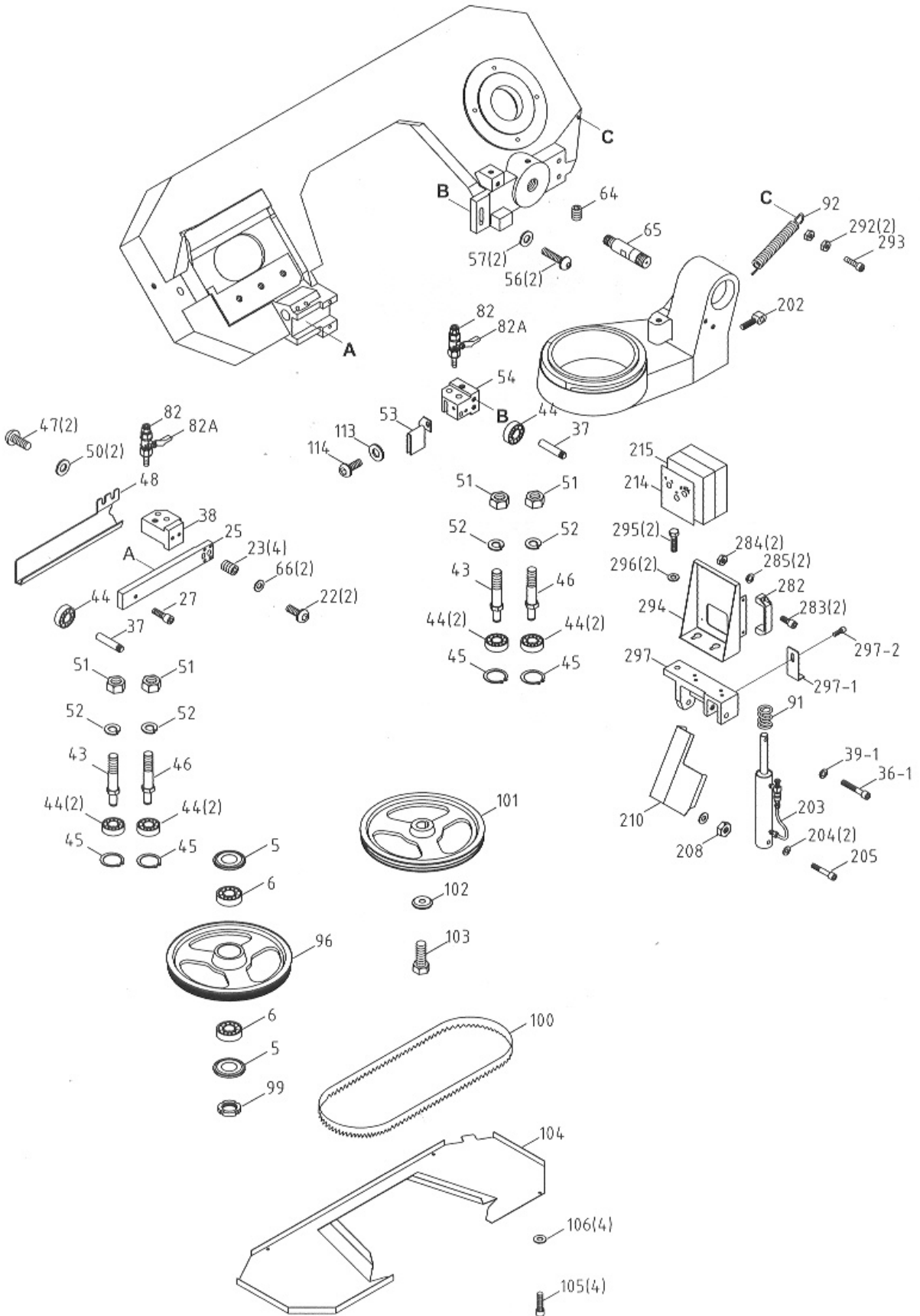
jetinfo.eu@waltermeier.com

www.jettools.com

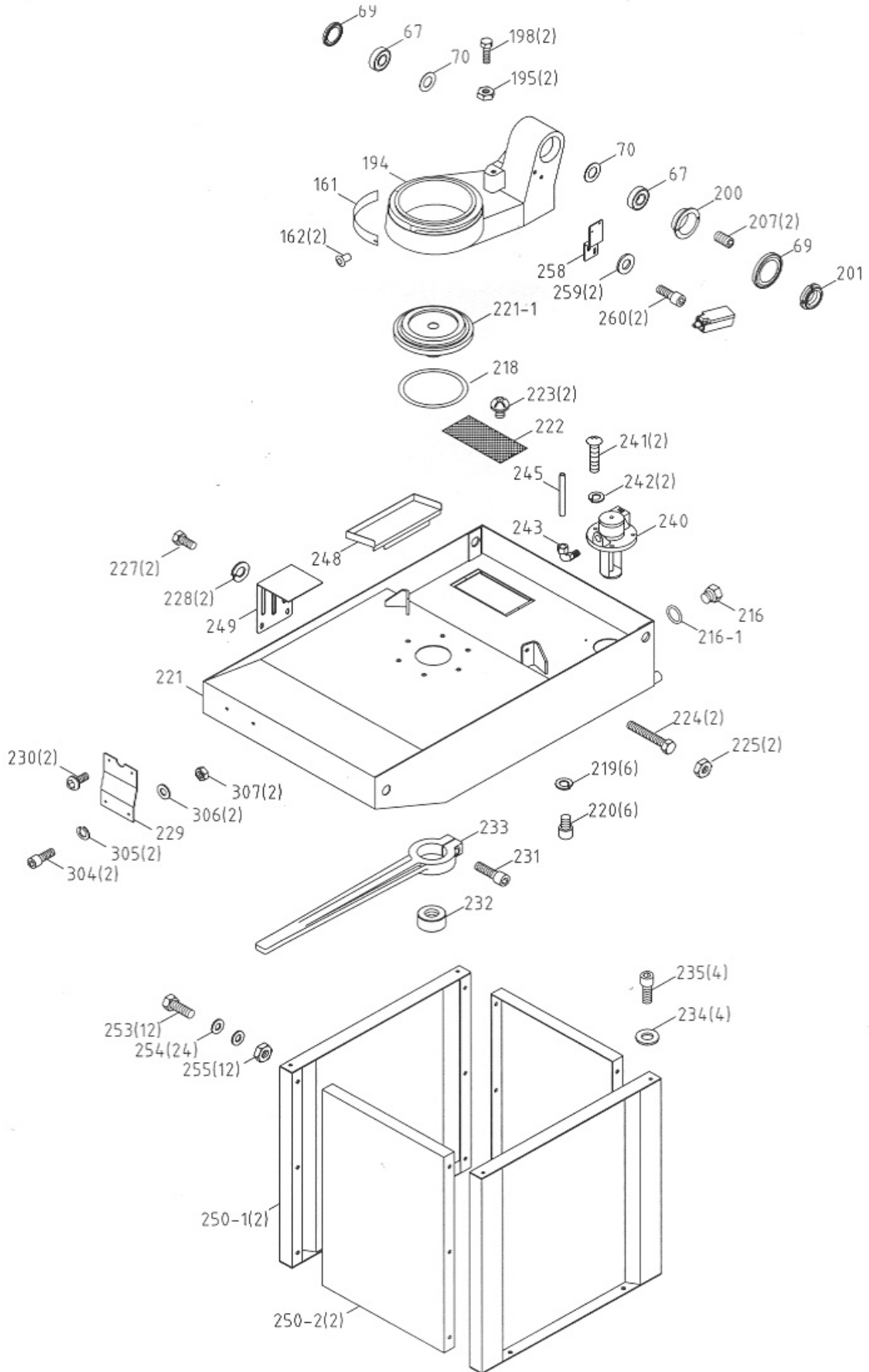
P-50000331T 2009/08/31



Breakdown for Transmission Assembly



Breakdown for Transmission Assembly



Parts List for the MBS708CS Transmission Assembly

Index No.	Part No.	Description	Size	Qty.
1.....	MBS708CS-001.....	Body Frame.....		1
2.....	MBS708CS-02.....	Anchor Block.....		1
2A.....	MBS708CS-02A.....	Anchor Plate.....		1
2B.....	MBS708CS-02B.....	Round Head Screw.....	M5X10.....	2
3.....	MBS708CS-03.....	Shaft.....		1
4.....	TS-1504041.....	Socket Head Cap Screw.....	M8X20.....	1
5.....	MBS708CS-05.....	Anti-Chip Cover.....		2
6.....	BB-32006.....	Tapered Roller Bearing.....	32006.....	2
7.....	MBS708CS-07.....	Washer.....		1
8.....	TS-1490081.....	Hex. Cap Screw.....	M8X45.....	1
9.....	TS-1540061.....	Hex. Nut.....	M8.....	1
11.....	MBS708CS-11.....	Thrust Bearing.....	51203.....	1
12.....	MBS708CS-12.....	Knob.....		2
13.....	MBS708CS-13.....	Blade Tension Handle.....		1
14.....	MBS708CS-14.....	Lock Washer.....	øID16.3Xø31.5X1.8t.....	10
15.....	MBS708CS-15A.....	Lead Screw.....		1
16.....	TS-2310162.....	Hex. Nut.....	M16.....	1
17.....	TS-1490041.....	Socket Head Cap Screw.....	M8x25.....	3
18.....	MBS708CS-18.....	Fixed Block.....		1
19.....	MBS708CS-19.....	Pin.....	ø 5X40.....	2
20.....	TS-1482041.....	Socket Head Cap Screw.....	M6X20.....	2
21.....	MBS708CS-21.....	Fixed Block.....		1
22.....	TS-2248252.....	Socket Head Button Screw.....	M8X25.....	2
23.....	TS-1523051.....	Socket Set Screw.....	M6X16.....	4
24.....	MBS910CS-20.....	Locking Lever.....	M10X60.....	1
25.....	MBS708CS-25.....	Blade adjust stick.....		1
26.....	TS-1524021.....	Socket Set Screw.....	M8X10.....	2
27.....	TS-1503021.....	Socket Head Cap Screw.....	M6X10.....	1
28.....	MBS708CS-28.....	Connecting Tube.....		1
29.....	MBS708CS-29.....	Handle.....		1
30.....	MBS708CS-30.....	Fixed Plate.....		1
36-1.....	TS-1505101.....	Socket Head Cap Screw.....	M10X60.....	1
37.....	MBS708CS-37.....	Bearing Shaft.....		2
38.....	MBS708CS-38.....	Blade Adjusting Seat (Front).....		1
39-1.....	TS-2361101.....	Lock Washer.....	M10.....	1
40.....	MBS708CS-40.....	Hose Clip.....		3
41.....	TS-1533062.....	Pan Head Screw.....	M5x20.....	3
43.....	MBS708CS-43.....	Shaft.....		2
44.....	BB-608ZZ.....	Ball Bearing.....	608ZZ.....	10
45.....	MBS708CS-45.....	C-Retainer Ring.....	ø8.....	4
46.....	MBS708CS-46.....	Eccentric Shaft.....		2
47.....	MBS708CS-47.....	Round Head Screw.....	M5X12.....	2
48.....	MBS708CS-48.....	Blade Cover (Front).....		1
49S.....	MBS708CS-49.....	Power Cutting Bracket Assembly (#49-1~#49-4).....		1
49-1.....	MBS708CS-49-1.....	Power Cutting Bracket.....		1
49-2.....	MBS708CS-49-2.....	Hex. Socket Head Screw.....	M3X30.....	2
49-3.....	TS-1550041.....	Flat Washer.....	M6.....	2
49-4.....	TS-1503031.....	Hex. Socket Head Screw.....	M6X12.....	2

Parts List for the MBS708CS Transmission Assembly

Index No.	Part No.	Description	Size	Qty.
50	TS-1550031	Flat Washer	M5	2
51	TS-1540071	Hex. Nut	M10	4
52	TS-2361101	Lock Washer	M10	4
53	MBS708CS-53	Deflector Plate		1
54	MBS708CS-54	Blade Adjusting Seat (Rear)		1
56	MBS708CS-56	Socket Head Button Screw	M8X35	2
57	TS-1550051	Flat Washer	M8	2
58S	MBS708CS-58S	Brush Assembly (#58-1~#58-6)		1
58-1	MBS708CS-58-1	Brush Support		1
58-2	MBS708CS-58-2	Brush		1
58-3	MBS708CS-58-3	Bushing		1
58-5	TS-1523031	Socket Set Screw	M6X10L	1
58-6	MBS708CS-58-6	Bushing		1
61	MBS708CS-61	Cover		1
62	TS-1504031	Socket Head Cap Screw	M8X16	2
64	TS-1524041	Socket Set Screw	M8X16	1
65	MBS708CS-65	Frame Pivot Shaft		1
66	TS-1550061	Flat Washer	M8	2
67	BB-32006	Tapered Roller Bearing	32006	2
69	MBS708CS-69	Anti-Chip Cover		2
70	MBS708CS-70	Privet Shaft Washer		2
71	MBS708CS-71AE	Motor	1Hp/400V/3ph	1
72	TS-1482041	Socket Head Cap Screw	M6X20	4
73	TS-1550041	Lock Washer	M6	4
74GA	MBS708CS-74GA	Gear Box (08050450 and higher))		1
75	MBS708CS-75	Spring Washer	M8	4
76	TS-1490041	Hex. Cap Screw (08050450 and higher)	M8x25	4
77	MBS708CS-77	PU Tube	ø6X800L	1
78	MBS708CS-78	Hose Fitting	ø8X1/4"PT	1
79	MBS708CS-79	Socket Head Cap Screw	M6X15L	2
80	MBS708CS-80	3 Way Valve		1
81	MBS708CS-81	PU Tube	ø6X240L	1
82	MBS708CS-82	Valve	1/8"	2
82A	MBS708CS-82A	Handle		2
83	MBS708CS-83	Hose Fitting	ø6X1/8"PT	4
84	MBS708CS-84	Bushing		1
85	TS-1505031	Socket Head Cap Screw	M10X25	1
86	MBS708CS-86	Washer	M10	1
87	MBS708CS-87	Round Head Key	8X7X50	1
88	MBS708CS-88N	Output Shaft (08050450 and higher))		1
89	MBS708CS-89	Round Head Key	7X7X30	1
90	MBS910CS-90	Ball Bearing	6208-2RS	1
91	MBS708CS-91	Spring		1
92	MBS708CS-92	Spring		1
96	MBS708CS-96	Idler Wheel		1
99	MBS708CS-99	Nut	M20	1
100	MBS708CS-100	Blade	208.5X20X0.9X5/8T	1
101	MBS708CS-101	Drive Wheel		1
102	MBS708CS-102	Drive Shaft Washer		1
103	TS-1505031	Hex. Head Screw	M10X25	1
104	MBS708CS-104	Blade Back Cover		1

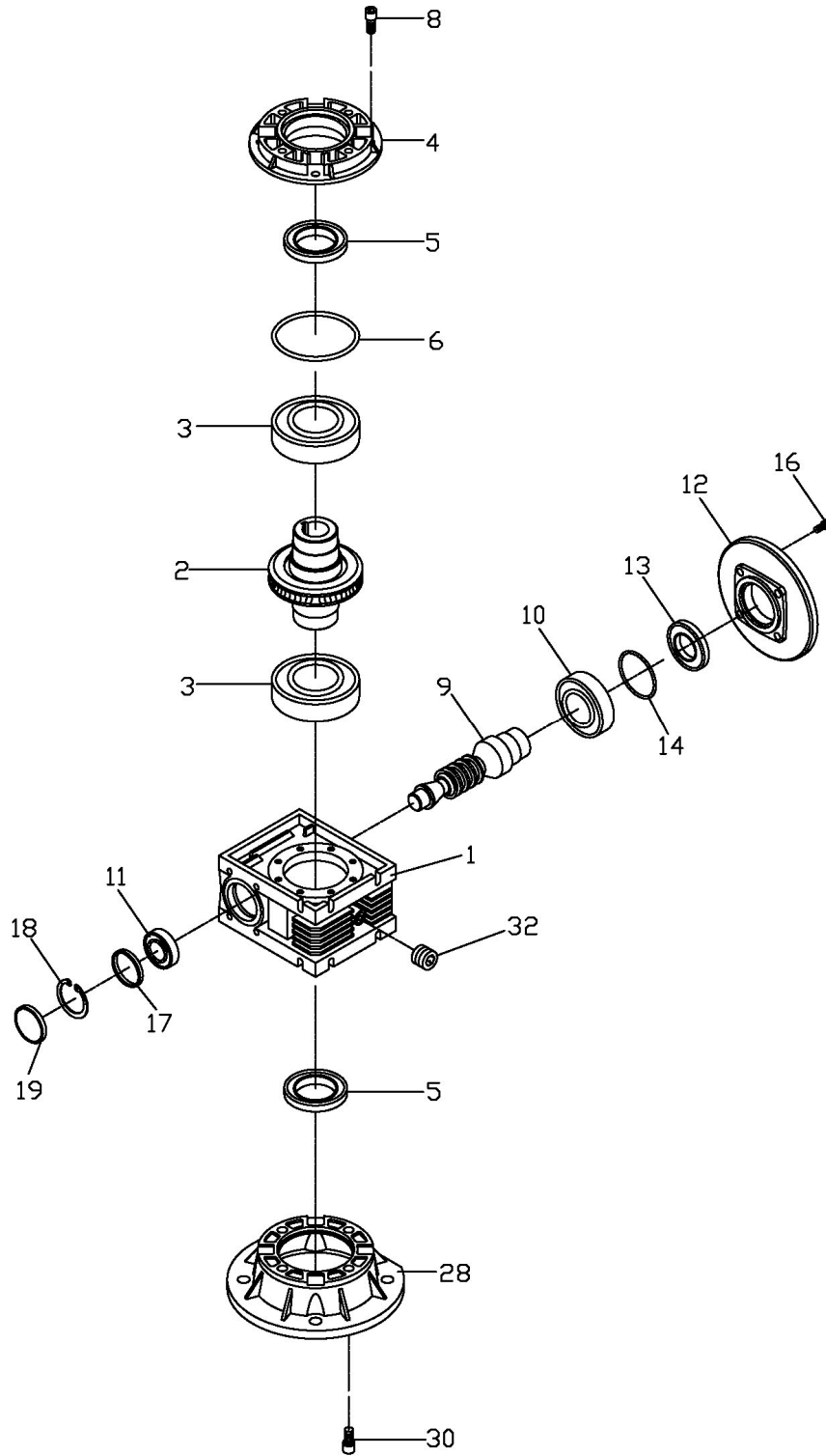
**Parts List for the MBS708CS
Transmission Assembly**

Index No.	Part No.	Description	Size	Qty.
105	TS-1503041	Socket Head Cap Screw	M6X16	4
106	TS-1550041	Flat Washer	M6	4
109	TS-1504031	Socket Head Cap Screw	M8x16	2
111	TS-2245162	Socket Head Button Screw	M5X16	2
112	TS-1550031	Flat Washer	M5	2
113	TS-1550031	Flat Washer	M5	1
114	TS-2245122	Socket Head Button Screw	M5X12	1
161	MBS708CS-161	Scale		1
162	MBS708CS-162	Rivet	ø2X6	2
165	MBS708CS-165	Distance Set Rod Assembly (#165-1 to #165-8)		1
165-1	MBS708CS-165-1	Stop Block		1
165-2	TS-1550061	Flat Washer	M8	2
165-3	MBS708CS-165-3	Knob		2
165-4	MBS708CS-165-4	Stock Stop Rod		1
165-5	MBS708CS-165-5	Distance Set Rod		1
165-6	TS-154009	Hex. Nut	M14	1
165-7	MBS708CS-165-7	Scale		1
165-8	MBS708CS-165-8	Rivet	ø2	4
170	MBS708CS-170	Hand wheel		1
171	MBS708CS-171	Pin	ø5X35	1
172	MBS708CS-172	Bearing Cover		1
173	MBS708CS-173	Thrust Bearing	ø30Xø47X3.5	1
174	MBS708CS-174	Vise Handle		1
175	MBS708CS-175	Spring		1
176	MBS708CS-176	Bushing		1
178	TS-1550041	Flat Washer	M6	1
179	MBS708CS-179	Socket Head Cap Screw	M6X15	1
180	MBS708CS-180	Vise Jaw Bracket		1
181	MBS708CS-181	Vise		1
182	TS-1514011	Socket Head Flat Screw	M6X12	2
186	MBS708CS-186	Vise Jaw Bracket		1
190	MBS708CS-190	Lead screw		1
191	TS-1524051	Socket Set Screw	M8X20	1
193	TS-2236911	Socket Head Cap Screw	M6X100	2
194	MBS708CS-194	Swivel Arm		1
195	TS-1540071	Hex. Nut	M10	2
196	MBS708CS-196	Vise Jaw Adjustable Rod		1
197	MBS708CS-197	O-Retainer Ring	ø19.8X ø2.4	1
198	TS-2210451	Hex. Cap Screw	M10X45	2
200	MBS708CS-200	Bushing		1
201	MBS708CS-201	Nut		1
202	MBS708CS-202	Bolt		1
203	MBS708CS-203	Cylinder Assembly		1
204	TS-2360121	Flat Washer	M12	2
205	MBS708CS-205	Hex. Socket Head Screw	M12X80L	1
207	TS-1523051	Socket Set Screw	M6X16	2
208	TS-1540083	Hex. Nut	M12XP1.75	1
210	MBS708CS-210	Cylinder Cover		1
214	MBS708CS-214	Liable for Name Plate		1
215	MBS708CS-215	Control Box Assembly		1
216	MBS708CS-216	Hex Socket Plug	3/8"PT	1
216-1	MBS708CS-216-1	O-Retainer Ring	P14	1

Parts List for the MBS708CS Transmission Assembly

Index No.	Part No.	Description	Size	Qty.
218	MBS708CS-218	O-Retainer Ring	ID170X5.7W	1
219	TS-2361101	Lock Washer	M10	6
220	TS-1505021	Socket Head Cap Screw	M10X20	6
221	MBS708CS-221	Stand		1
221-1	MBS708CS-221-1	Swivel Arm Base		1
222	MBS708CS-222	Filter		1
223	TS-2284082	Pan Head Screw	M4X8L	2
224	TS-1491081	Hex. Cap Screw	M10X50	2
225	TS-1540071	Hex. Nut	M10	2
227	TS-1491031	Hex. Cap Screw	M10X25	2
228	TS-2361101	Lock Washer	M10	2
229	MBS708CS-229	Fixed Plate		1
230	TS-2246102	Socket Head Button Screw	M6X10L	2
231	TS-1505051	Socket Head Cap Screw	M10X35	1
232	MBS708CS-232	Nut		1
233	MBS708CS-233	Adjustable Handle		1
234	TS-1550071	Washer	M10	4
235	TS-1505021	Socket Head Cap Screw	M10X20	4
240	MBS708CS-240E	Pump	1/8Hp/400V	1
241	MBS708CS-241	Cross Round Head Screw	M6X15	2
242	TS-2361061	Lock Washer	M6	2
243	MBS708CS-243	Micro Control Block	3/8"X3/8"	1
245	MBS708CS-245	PU Tube	ø8X1300L	1
248	MBS708CS-248	Fluid Collected Plate		1
249	MBS708CS-249	Feed Support		1
250	MBS708CS-250	Stand Leg Set		1
250-1	MBS708CS-250-1	Stand Leg (front)		2
250-2	MBS708CS-250-2	Stand Leg(Right)(Left)		2
253	TS-1490031	Hex. Cap Screw	M8X20	12
254	TS-1550051	Flat Washer	M8	24
255	TS-1540061	Hex. Nut	M8	12
258	MBS708CS-258	Bracket		1
259	TS-1550031	Flat Washer	M5	2
260	TS-1502021	Socket Head Cap Screw	M5X10L	2
282	MBS708CS-282	Knob		1
283	TS-1504031	Socket Head Cap Screw	M8X16	2
284	MBS708CS-284	Hex. Nut	M8	2
285	TS-2361081	Lock Washer	M8	2
292	TS-1540071	Hex. Nut	M10	2
293	TS-1505061	Socket Head Cap Screw	M10X40	1
294	MBS708CS-294	Control Box Base		1
295	TS-1490031	Hex. Cap Screw	M8X20	2
296	TS-1550061	Flat Washer	M8	2
297	MBS708CS-297	Cylinder Bracket		1
297-1	MBS708CS-297-1	Plate		1
297-2	TS-1502021	Socket Head Cap Screw	M5X10	1
304	TS-1503041	Socket Head Cap Screw	M6X16	2
305	TS-2361061	Lock Washer	M6	2
306	TS-1550041	Flat Washer	M6	2
307	TS-1540041	Hex. Nut	M6	2
308	MBS708CS-308	Blade tension meter		1

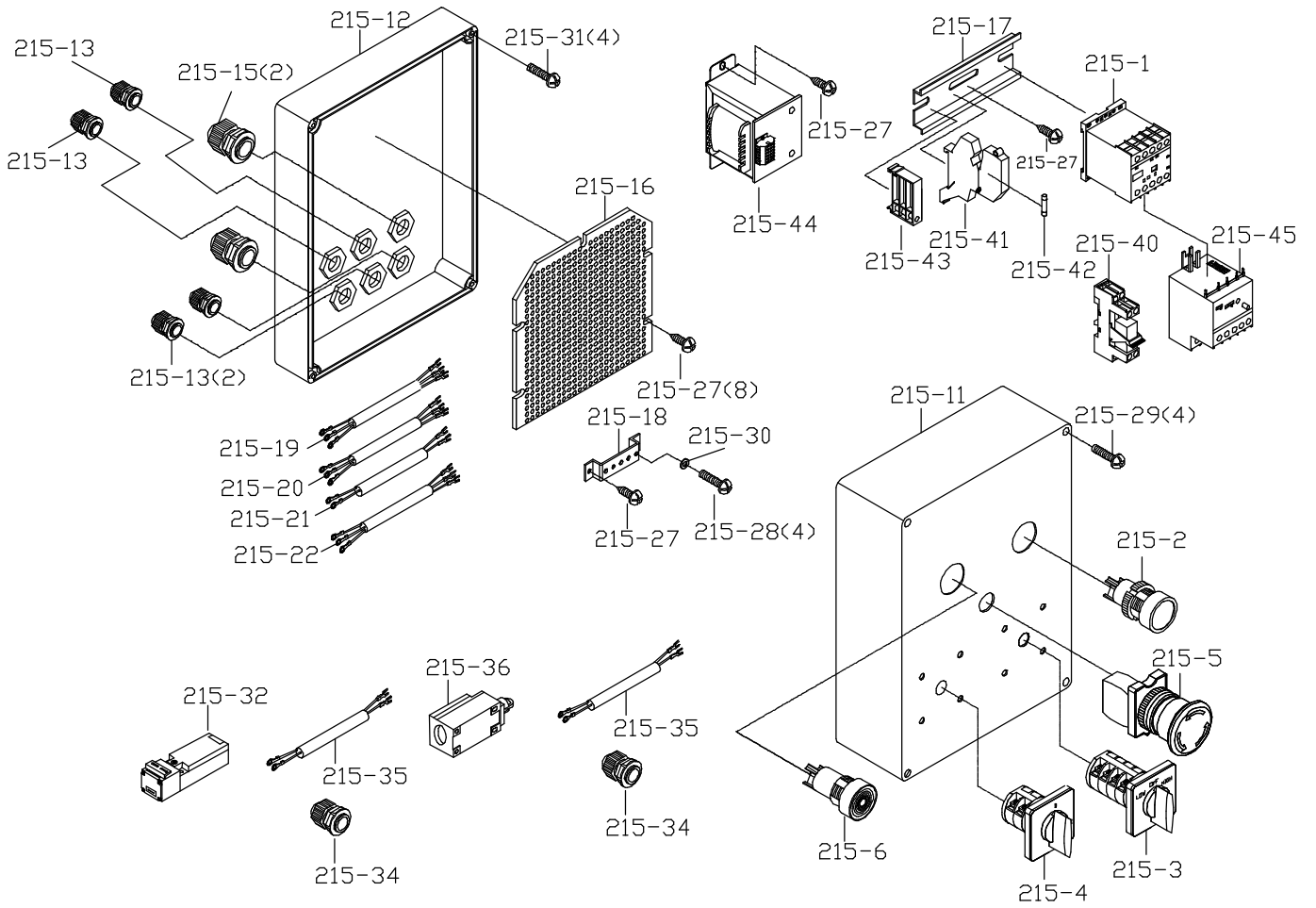
**Parts list for MBS-708CS
Breakdown for Gear Box Assembly**



**Parts List for MBS-708CS
Gear Box Assembly**

Index No.	Part No.	Description	Size	Qty.
1.....	MBS708CS-74GA-1.....	Gear Box		1
2.....	MBS708CS-74GA-2.....	Worm Gear	E=1/28	1
3.....	BB-6008ZZ	Ball Bearing	6008ZZ	2
4.....	MBS708CS-74GA-4.....	Gear Box Cover	TC40x62x7b.....	1
5.....	MBS708CS-74GA-5.....	Oil Seal		2
6.....	MBS708CS-74GA-6.....	Oil Seal		1
8.....	MBS708CS-74GA-8.....	Socket Star Head Screw	M6x16	8
9.....	MBS708CS-74GA-9.....	Worm Shaft		1
10.....	BB-6006ZZ	Ball Bearing	6006ZZ	1
11.....	BB-6204ZZ	Ball Bearing	6204ZZ	1
12.....	MBS708CS-74GA-12.....	Motor Flange		1
13.....	MBS708CS-74GA-13.....	Oil Seal	TC30x47x7b.....	1
14.....	MBS708CS-74GA-14.....	Oil Seal		1
16.....	MBS708CS-74GA-8.....	Socket Star Head Screw	M6x16	6
17.....	MBS708CS-74GA-17.....	Washer		1
18.....	MBS708CS-74GA-18.....	C-Ring.....		1
19.....	MBS708CS-74GA-19.....	Oil Seal		1
28.....	MBS708CS-74GA-28.....	Connect Flange.....		1
30.....	TS-1504031	Socket Head Cap Screw	M8x16	4
32.....	MBS708CS-74GA-32.....	Oil Plug		2

Breakdown for the MBS708CS Electrical Box Assembly



**Parts List for the MBS708CS
Electrical Box Assembly**

Index No.	Part No.	Description	Size	Qty.
215	MBS708CS-215	Control Box Assembly		1
215-1	MBS708CS-215-1	Magnetic-Contact	C-06D	1
215-2	MBS708CS-215-2	Push-Button Switch	NPB-F	1
215-3	MBS708CS-215-3	Choice Pole Switch	600V/20A	1
215-4	MBS708CS-215-4	Choice-Switch	600V/20A	1
215-5	MBS708CS-215-5	Emergency-Stop Switch	HY57B	1
215-6	MBS708CS-215-6	Power Light	NLD-22	1
215-11	MBS708CS-215-11	Box Upper Lib		1
215-12	MBS708CS-215-12	Box Seat		1
215-13	MBS708CS-215-13	Cable-Gland	PG-9	4
215-15	MBS708CS-215-15	Cable-Gland	PG-13.5	2
215-16	MBS708CS-215-16	Net-Pin		1
215-17	MBS708CS-215-17	Din-Rails		1
215-18	MBS708CS-215-18	Grand Copper Pin		1
215-19	MBS708CS-215-19	Power Cable	H07RN-Fx1.5mm ²	1
215-20	MBS708CS-215-20	Motor Cable	1.25mm ² x7C	1
215-21	MBS708CS-215-21	Limit Cable	H05VV-Fx0.75mm ²	1
215-22	MBS708CS-215-22	Pump Cable	H05VV-Fx0.75mm ²	1
215-27	MBS708CS-215-27	Self-tapping Screw	M4X8	10
215-28	MBS708CS-215-28	Cross Round Head Screw crew	M4X6	4
215-29	MBS708CS-215-29	Cross Round Head Screw	M4x12	4
215-30	MBS708CS-215-30	Star Washer	M4	6
215-32	MBS708CS-215-32	Limit Switch for Blade Guard	AZD-S11	1
215-34	MBS708CS-215-34	Cable-Gland	PG-11	2
215-35	MBS708CS-215-35	Limit Cable	H05VV-Fx0.75mm ²	1
215-36	MBS708CS-215-36	Limit Switch for Bow Down	AZD-112	1
215-40	MBS708CS-215-40	Relay	24V	1
215-41	MBS708CS-215-41	Fuse Seat		1
215-42	MBS708CS-215-42	Fuse	2A	1
215-43	MBS708CS-215-43	Fix Block		1
215-44	MBS708CS-215-44	Transformer	400/24V	1
215-45	MBS708CS-215-45	Overload protector	1.8A-2.6A	1

**MBS708CS
50000331T**

400/50/3

	colour of strands	Litzenfarben	couleur des cordons
BK	black	schwarz	noir
WH	white	weiß	blanc
BU	blue	blau	bleu
RD	red	rot	rouge
BN	brown	braun	brun
GNYE	green-yellow	grün-gelb	vert-jaune
GN	green	grün	vert

	meaning of symbol	Bedeutung der Zeichen	interprétation
KM	Magnetic contactor	Hauptschütz	contacteur
FU	fuse	Sicherung	fusible
L	lamp	Anzeigenlampe	lampe d'indication
SE	emergency stop switch	Not-Aus Schalter	arrêt d'urgence
SB1	start button	Ein-Schalter	bouton marche
SC1	choice speed switch	Aus-Schalter	bouton arrêt
SC2	pump switch	Kühlmittel-Schalter	bouton pompe
SQ1	downer limit switch	Positionsendschalter	micro
M	main motor	Hauptmotor	moteur principal
P	pump	Kühlmittelmotor	moteur pompe
SQA	saw lid limit switch	Positionsendschalter	micro
SQB	tension limit switch	Positionsendschalter	micro

