

J E T

MBS-910CS Metal Working Bandsaw

**50000341T
400/50/3**

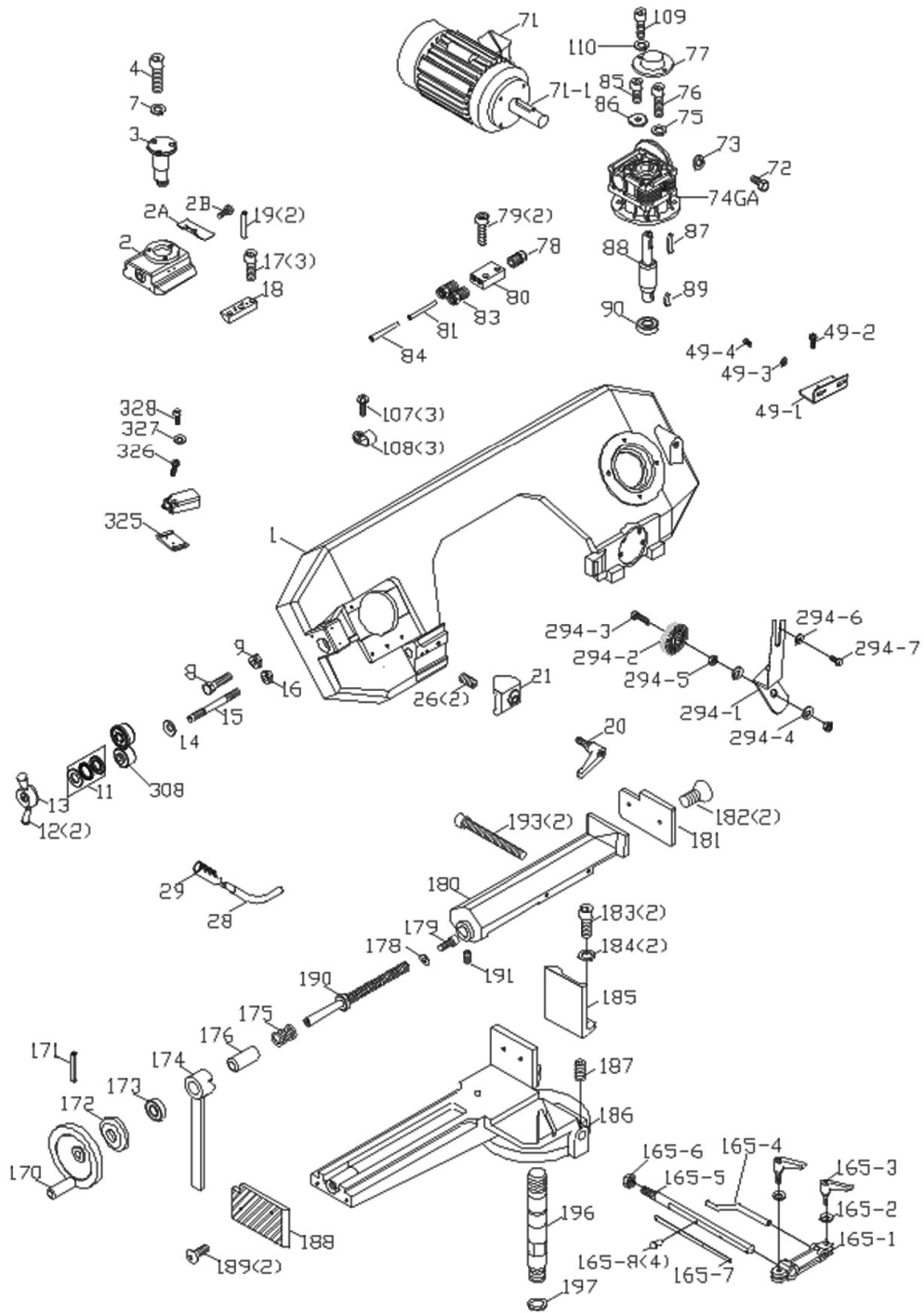
PARTS LIST

Walter Meier (Fertigung) AG
Bahnstrasse 24
8603 Schwerzenbach
Switzerland
Phone +41 44 806 47 48
Fax +41 44 806 47 58
jetinfo.eu@waltermeier.com
www.jettools.com

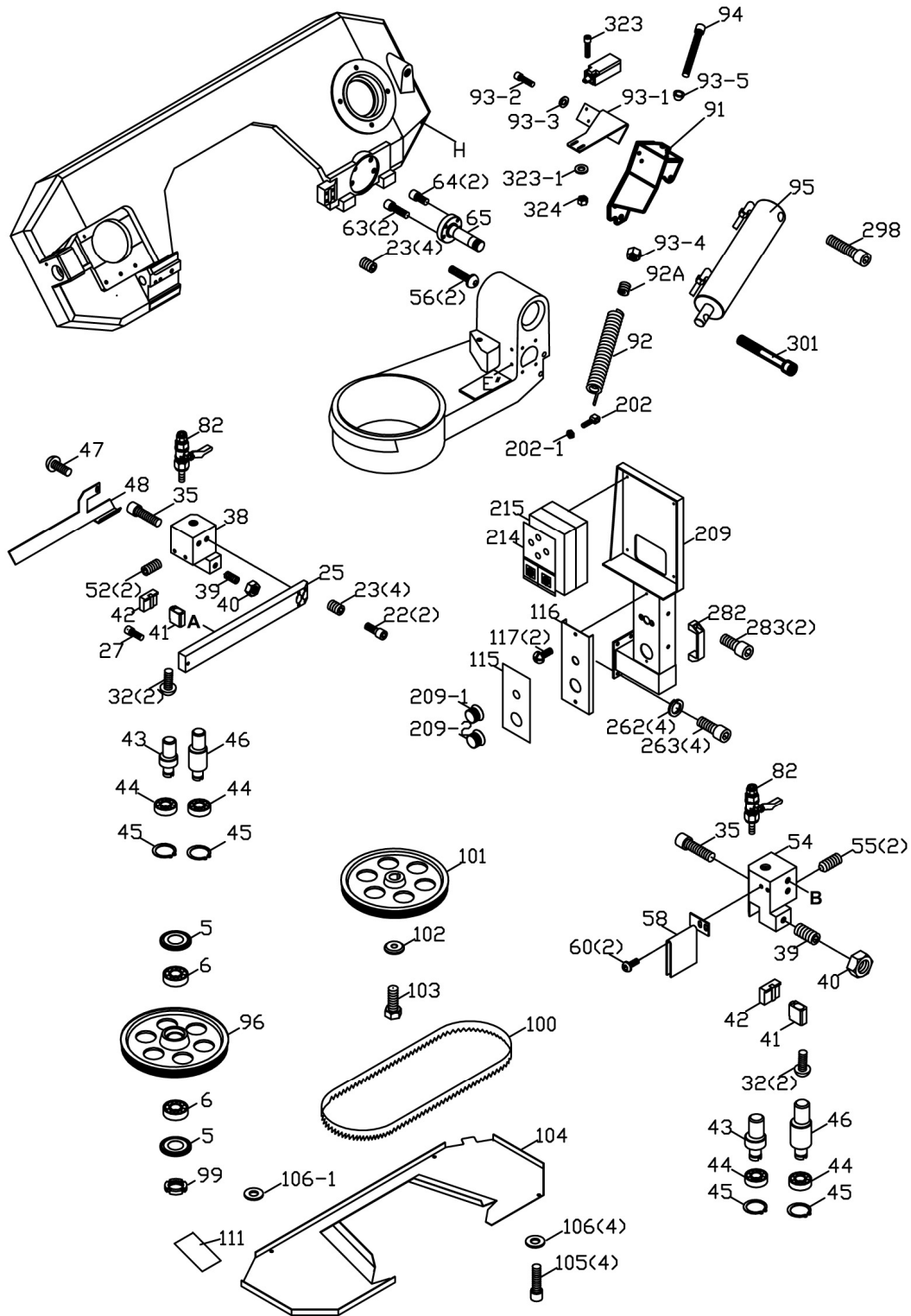


P-50000341T 2009/08/31

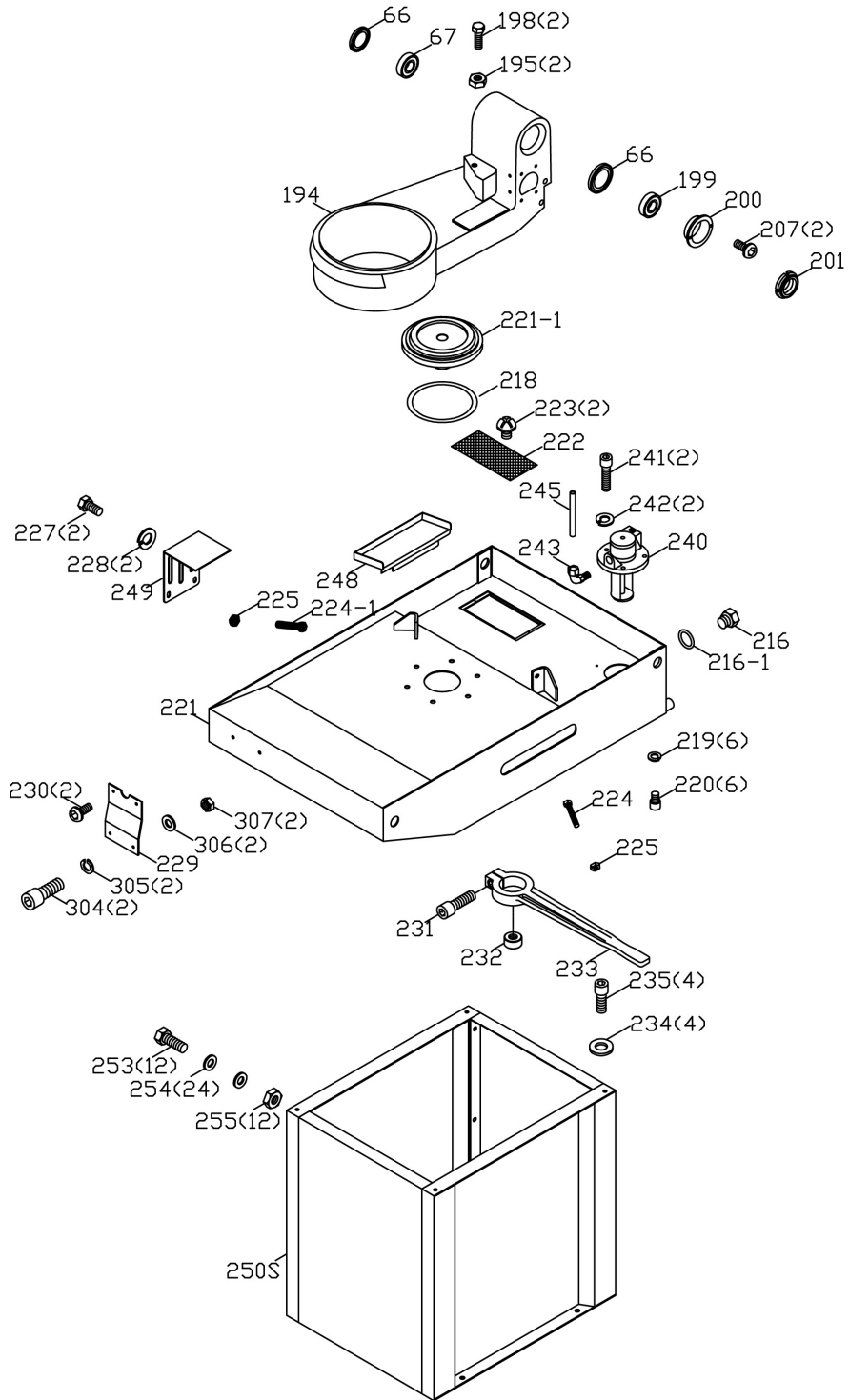
Breakdown for the MBS910CS Transmission Assembly



Breakdown for the MBS910CS Transmission Assembly



Breakdown for the MBS910CS Transmission Assembly



**Parts List for the MBS910CS
Transmission & Head Assembly**

Index No.	Part No.	Description	Size	Qty.
1.....	MBS910CS-01.....	Body Frame.....		1
2.....	MBS910CS-02.....	Anchor Block.....		1
2A.....	MBS910CS-02A.....	Anchor Plate.....		1
2B.....	MBS708CS-02B.....	Round Head Screw.....	M5x10.....	2
3.....	MBS910CS-03.....	Shaft.....		1
4.....	TS-1504061.....	Socket Head Cap Screw.....	M8x30.....	3
5.....	MBS910CS-05.....	Anti-Chip Cover.....		2
6.....	BB-32006.....	Tapered Roller Bearing.....	32006.....	2
7.....	TS-2361081.....	Lock Washer.....	M8.....	3
8.....	TS-1490081.....	Hex. Cap Screw.....	M8x45.....	1
9.....	MBS708CS-09.....	Nut.....	M8.....	1
11.....	MBS708CS-11.....	Thrust Bearing.....	51203.....	1
12.....	MBS708CS-12.....	Knob.....		2
13.....	MBS708CS-13.....	Blade Tension Handle.....		1
14.....	MBS708CS-14.....	Lock Washer.....	ø16.3xø31.5x1.8t.....	14
15.....	MBS910CS-15A.....	Lead screw.....		1
16.....	TS-154010.....	Nut.....	M16.....	1
17.....	TS-1504041.....	Socket Head Cap Screw.....	M8x20.....	3
18.....	MBS708CS-18.....	Fixed Block.....		1
19.....	MBS708CS-19.....	Pin.....	ø 5X40.....	2
20.....	MBS910CS-20.....	Locking Lever.....	M10x60.....	1
21.....	MBS910CS-21.....	Fixed Block.....		1
22.....	TS-1504041.....	Socket Head Cap Screw.....	M8x20.....	2
23.....	TS-1503041.....	Socket Set Screw.....	M6x16.....	4
25.....	MBS910CS-25.....	Blade adjust stick.....		1
26.....	TS-1524021.....	Socket Set Screw.....	M8x10.....	2
27.....	TS-1503021.....	Socket Head Cap Screw.....	M6x10.....	1
28.....	MBS708CS-28.....	Connecting Tube.....		1
29.....	MBS708CS-29.....	Handle.....		1
30.....	TS-1550071.....	Flat Washer.....	M10.....	1
32.....	MBS910CS-32.....	Round Head Screw.....	M6x30.....	4
35.....	TS-1503011.....	Socket Head Cap Screw.....	M6x8.....	2
38.....	MBS910CS-38.....	Blade Adjust.....		1
39.....	TS-1524051.....	Socket Set Screw.....	M8x20.....	2
40.....	TS-1540061.....	Hex. Nut.....	M8.....	2
41.....	MBS910CS-41.....	Guide.....		2
42.....	MBS910CS-42.....	Guide.....		2
43.....	MBS910CS-43.....	Eccentric Guide.....		2
44.....	BB-608ZZ.....	Ball Bearing.....	608ZZ.....	4
45.....	MBS708CS-45.....	C-Retainer Ring.....	ø 8.....	4
46.....	MBS910CS-46.....	Eccentric Guide.....		2
47.....	MBS910CS-47.....	Round Head Screw.....	M6x15.....	2
48.....	MBS910CS-48.....	Blade Cover.....		1
49S.....	MBS708CS-49S.....	Power Cutting Bracket.....		1
49-1.....	MBS708CS-49-1.....	Power Cutting Bracket.....		1
49-2.....	MBS708CS-49-2.....	Cross Round Head Screw.....	M3x30.....	2
49-3.....	TS-1550041.....	Flat Washer.....	M6.....	2
49-4.....	TS-1503031.....	Socket Head Cap Screw.....	M6x12.....	2
52.....	TS-1523011.....	Socket Set Screw.....	M6x6.....	2
54.....	MBS910CS-54.....	Blade Adjustable.....		1
55.....	TS-1523011.....	Socket Set Screw.....	M6x6.....	2

**Parts List for the MBS910CS
Transmission & Head Assembly**

Index No.	Part No.	Description	Size	Qty.
56	TS-1504071	Socket Head Cap Screw	M8x35	2
57	TS-1550051	Flat Washer	M8	2
58	MBS910CS-58	Blade Cover		1
60	MBS910CS-60	Round Head Screw	M5x10	2
63	TS-1505061	Socket Head Cap Screw	M10x40	2
64	TS-1505031	Socket Head Cap Screw	M10x25	2
65	MBS910CS-65	Frame Pivot Shaft		1
66	MBS910CS-66	Anti-Chip Cover		2
67	BB-32006	Tapered Roller Bearing	32006	1
71	MBS910CS-71AE	Motor	1.5HP/400V/3PH	1
72	TS-1503061	Socket Head Cap Screw	M6x25	4
73	TS-2361061	Lock Washer	M6	4
74GA	MBS910CS-74GA	Gear Box Assembly (08040509 and higher)		1
75	TS-2361101	Lock Washer	M10	4
76	TS-1490041	Hex Cap Screw (08040509 and higher)	M8x25	4
77	MBS910CS-77	Reducer Cover		1
78	MBS708CS-78	Hose Fitting	ø 8x1/4"PT	1
79	TS-1503041	Socket Head Cap Screw	M6x16	2
80	MBS708CS-80	3 Way Valve		1
81	MBS708CS-81	PU Tube	ø 6x240L	1
82	MBS708CS-82	Valve	1/8"	2
83	MBS708CS-83	Hose Fitting	ø 6x1/8"PT	4
84	MBS910CS-84	PU Tube	ø 6x800L	1
85	TS-1505041	Socket Head Cap Screw	M10x30	1
86	MBS708CS-86	Private Shaft Washer		1
87	MBS708CS-87	Round Head Key	8x7x50	1
88	MBS910CS-88N	Output Shaft (08040509 and higher)		1
89	MBS910CS-89	Round Head Key	8x7x25	1
90	MBS910CS-90	Ball Bearing	6208-2RS	1
91	MBS910CS-91	Spring Bracket (07100404 and higher)		1
92	MBS910CS-92	Spring		1
92A	MBS910CS-92A	Bushing		1
93-1	MBS910CS-92-1	Down Bracket (07100404 and higher)		1
93-2	TS-1502041	Socket Head Cap Screw	M5x16	2
93-3	TS-2361051	Lock Washer	M5	2
93-4	TS-1540071	Nut	M10	1
93-5	MBS910CS-93-5	Bushing		1
94	MBS910CS-094	Socket Head Cap Screw	M10x110	1
95	MBS910CS-95	Hydraulic Cylinder Assembly		1
96	MBS910CS-96	Idler Wheel		1
99	MBS910CS-99	Nut	AN06	1
100	MBS910CS-100	Blade	0.9x27x2450x5/8T	1
101	MBS910CS-101	Drive Wheel		1
102	MBS708CS-102	Drive Shaft Washer		1
103	TS-1492021	Hex. Cap Screw	M12x30	1
104	MBS910CS-104	Blade Back Cover		1
105	TS-1503041	Socket Head Cap Screw	M6x16	4
106	TS-1550041	Flat Washer	M6	4
107	MBS910CS-107	Cross Round Head Screw	M5x20	3
108	MBS910CS-108	Hose Clip	ø 8	3
109	TS-1504031	Socket Head Cap Screw	M8x15	2

**Parts List for the MBS910CS
Transmission & Head Assembly**

Index No.	Part No.	Description	Size	Qty.
110	TS-2361081	Lock Washer	M8	2
111	MBS910CS-111	Label For Dimension of Section Cut		1
116	MBS910CS-116	Cover		1
117	MBS910CS-117	Round Head Screw	M5x15	2
165S	MBS910CS-165S	Distance Set Rod Assembly		1
165-1	MBS708CS-165-1	Distance Set Bracket		1
165-2	TS-1550051	Flat Washer	M8	2
165-3	MBS708CS-165-3	Knob		2
165-4	MBS708CS-165-4	Stock Stop Rod		1
165-5	MBS910CS-165-5	Distance Set Rod		1
165-6	TS-154009	Hex. Nut	M14	1
165-7	MBS708CS-165-7	Scale		1
165-8	MBS708CS-165-8	Rivet	ø 2	4
170	MBS910CS-170	Wheel		1
171	MBS708CS-171	Pin	ø 5x35	1
172	MBS910CS-172	Bearing Cover		1
173	MBS708CS-173	Thrust Bearing	ø 30x ø 47x3.5	1
174	MBS708CS-174	Vises Handle		1
175	MBS708CS-175	Spring		1
176	MBS910CS-176	Bushing		1
178	MBS708CS-178	Washer	ø 6.5x ø 18	1
179	TS-1503041	Socket Head Cap Screw	M6x16	1
180	MBS910CS-180	Vise Jaw Bracket		1
181	MBS910CS-181	Vise		1
182	MBS708CS-182	Hex. Socket Flat Head Screw	M6x12	2
183	TS-1505041	Socket Head Cap Screw	M10x30	2
184	TS-2361101	Lock Washer	M10	2
185	MBS910CS-185	Vise		1
186	MBS910CS-186	Vise Jaw Bracket		1
187	TS-1524021	Socket Set Screw	M8x10	1
188	MBS910CS-188	Vise		1
189	TS-1503041	Socket Head Cap Screw	M6x16	2
190	MBS910CS-190	Lead screw Assembly		1
191	TS-1524051	Socket Set Screw	M8x20	1
193	MBS910CS-193	Socket Head Cap Screw	M6x110	2
194	MBS910CS-194	Swivel Arm		1
195	TS-1540071	Hex. Nut	M10	2
196	MBS910CS-196	Vise Jaw Adjustable Rod		1
197	MBS708CS-197	O-Retainer Ring	ø 9.8x ø 2.4	1
198	TS-2210451	Hex. Cap Screw	M10x45	2
199	BB-32007	Tapered Roller Bearing	32007	1
200	MBS910CS-200	Bushing		1
201	MBS910CS-201	Nut	AN-07	1
202	MBS708CS-202	Bolt		1
207	TS-1522051	Socket Set Screw	M5x16	2
209	MBS910CS-209	Control Box Base		1
209-1	MBS910CS-209-1	Value		1
209-2	MBS910CS-209-2	Throttle Valve		1
214	MBS910CS-214	Label for Name Plate (not shown)		1
215	MBS910CS-215	Control Switch Assembly		1
216	MBS708CS-216	Hex Socket Plug	3/8"PT	1

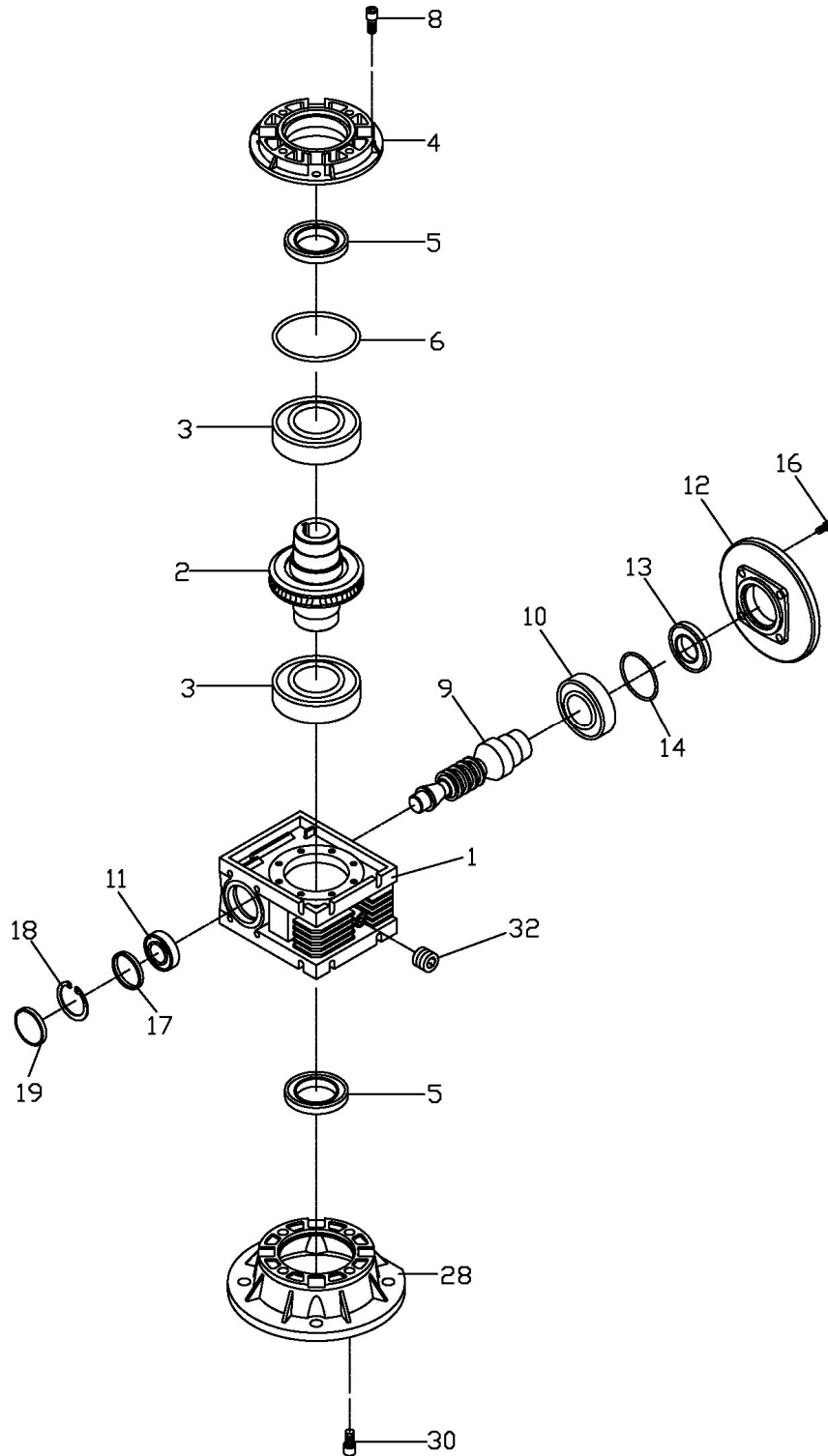
**Parts List for the MBS910CS
Transmission & Head Assembly**

Index No.	Part No.	Description	Size	Qty.
216-1	MBS708CS-216-1	O-Retainer Ring	P14	1
218	MBS910CS-218	O-Retainer Ring	ID19.5x5.7	1
219	TS-2361101	Lock Washer	M10	6
220	TS-1505021	Socket Head Cap Screw	M10x 20	6
221	MBS910CS-221	Coolant Pan		1
221-1	MBS910CS-221-1	Swivel Arm Base		1
222	MBS708CS-222	Filter		1
223	MBS708CS-223	Cross Round Head Screw	M4x8	2
224	TS-1491081	Hex. Cap Screw	M10x50	1
224-1	TS-1491161	Hex. Cap Screw	M10x100	1
225	TS-1541041	Hex. Nut	M10	2
227	TS-1491031	Hex. Cap Screw	M10x25	2
228	TS-2361101	Lock Washer	M10	2
229	MBS910CS-229	Fixed Plate		1
230	MBS708CS-230	Round Head Screw	M6x10	2
231	TS-1505051	Socket Head Cap Screw	M10x35	1
232	MBS708CS-232	Nut		1
233	MBS910CS-233	Adjustable Handle		1
234	TS-1550051	Flat Washer	M8	4
235	TS-1504051	Socket Head Cap Screw	M8x25	4
240	MBS708CS-240E	Pump	1/8HP/400V	1
241	MBS708CS-241	Pan Head Screw	M6x15	2
242	TS-2361061	Lock Washer	M6	2
243	MBS708CS-243	Micro Control Block	3/8"x3/8"	1
245	MBS708CS-245	PU Tube	ø 8x1300L	1
248	MBS708CS-248	Fluid Collected Plate		1
249	MBS910CS-249	Feed Support		1
250	MBS910CS-250	Stand Leg Set		1
250-1	MBS910CS-250-1	Stand Leg		2
250-2	MBS910CS-250-2	Stand Leg		2
253	TS-1490031	Hex. Cap Screw	M8x20	12
254	TS-1550051	Flat Washer	M8	24
255	TS-1540061	Hex. Nut	M8	12
262	TS-2361061	Lock Washer	M6	4
263	TS-1503041	Socket Head Cap Screw	M6x16	4
282	MBS708CS-282	Knob		1
283	TS-1504031	Socket Head Cap Screw	M8x16	2
294S	MBS910CS-294S	Brush Assembly		1
294-1	MBS910CS-294-1	Brush Support		1
294-2	MBS910CS-294-2	Brush		1
294-3	TS-1482061	Hex. Cap Screw	M6x30	1
294-4	TS-1550041	Flat Washer	M6	2
294-5	TS-1540041	Hex. Nut	M6	1
294-7	TS-2246102	Socket Head Button Screw	M6x10	2
304	TS-1503041	Socket Head Cap Screw	M6x16	2
305	TS-2361061	Lock Washer	M6	2
306	TS-1550041	Flat Washer	M6	2
307	TS-1540041	Hex. Nut	M6	2
308	MBS708CS-308	Blade tension Meter		1
325	MBS910CS-325	Micro Switch Bracket		1

**Parts List for the MBS910CS
Transmission & Head Assembly**

Index No.	Part No.	Description	Size	Qty.
326	MBS910CS-326	Cross Round Head Screw	M4x28	2
327	TS-1550031	Flat Washer	M5	2
328	TS-1481041	Hex. Cap Screw	M5X16	2

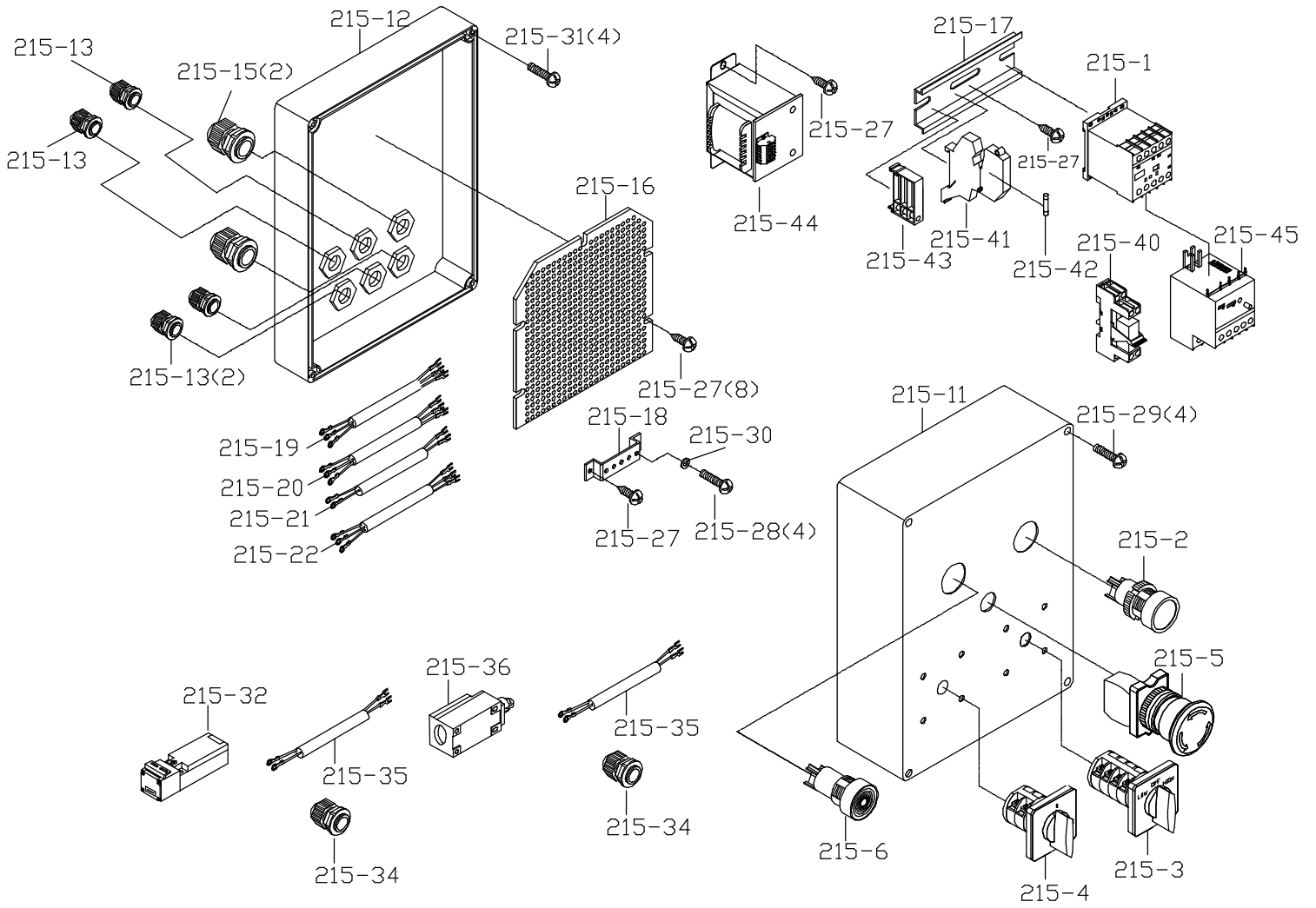
**Parts list for MBS-910CS
Breakdown for Gear Box Assembly**



**Parts List for MBS-910CS
Gear Box Assembly**

Index No.	Part No.	Description	Size	Qty.
1.....	MBS708CS-74GA-1.....	Gear Box.....		1
2.....	MBS910CS-74GA-2.....	Worm Gear.....	E=1/40.....	1
3.....	BB-6008ZZ.....	Ball Bearing.....	6008ZZ.....	2
4.....	MBS708CS-74GA-4.....	Gear Box Cover.....		1
5.....	MBS708CS-74GA-5.....	Oil Seal.....	TC40x62x7b.....	2
6.....	MBS708CS-74GA-6.....	Oil Seal.....		1
8.....	MBS708CS-74GA-8.....	Socket Star Head Screw.....	M6x16.....	8
9.....	MBS910CS-74GA-9.....	Worm Shaft.....		1
10.....	BB-6006ZZ.....	Ball Bearing.....	6006ZZ.....	1
11.....	BB-6204ZZ.....	Ball Bearing.....	6204ZZ.....	1
12.....	MBS708CS-74GA-12.....	Motor Flange.....		1
13.....	MBS708CS-74GA-13.....	Oil Seal.....	TC30x47x7b.....	1
14.....	MBS708CS-74GA-14.....	Oil Seal.....		1
16.....	MBS708CS-74GA-8.....	Socket Star Head Screw.....	M6x16.....	6
17.....	MBS708CS-74GA-17.....	Washer.....		1
18.....	MBS708CS-74GA-18.....	C-Ring.....		1
19.....	MBS708CS-74GA-19.....	Oil Seal.....		1
28.....	MBS708CS-74GA-28.....	Connect Flange.....		1
30.....	TS-1504031.....	Socket Head Cap Screw.....	M8x16.....	4
32.....	MBS708CS-74GA-32.....	Oil Plug.....		2
.....	MBS910CS-74GA.....	Gear Box Assembly 1~32 (08040509 and higher).....		

Breakdown for the MBS910CS Electrical Box Assembly



**Parts List for the MBS910CS
Electrical Box Assembly**

Index No.	Part No.	Description	Size	Qty.
215	MBS708CS-215	Control Box Assembly		1
215-1	MBS708CS-215-1	Magnetic-Contact	C-06D	1
215-2	MBS708CS-215-2	Push-Button Switch	NPB-F	1
215-3	MBS708CS-215-3	Choice Pole Switch	600V/20A	1
215-4	MBS708CS-215-4	Choice-Switch	600V/20A	1
215-5	MBS708CS-215-5	Emergency-Stop Switch	HY57B	1
215-6	MBS708CS-215-6	Power Light	NLD-22	1
215-11	MBS708CS-215-11	Box Upper Lib		1
215-12	MBS708CS-215-12	Box Seat		1
215-13	MBS708CS-215-13	Cable-Gland	PG-9	4
215-15	MBS708CS-215-15	Cable-Gland	PG-13.5	2
215-16	MBS708CS-215-16	Net-Pin		1
215-17	MBS708CS-215-17	Din-Rails		1
215-18	MBS708CS-215-18	Grand Copper Pin		1
215-19	MBS708CS-215-19	Power Cable	H07RN-Fx1.5mm ²	1
215-20	MBS708CS-215-20	Motor Cable	1.25mm ² x7C	1
215-21	MBS708CS-215-21	Limit Cable	H05VV-Fx0.75mm ²	1
215-22	MBS708CS-215-22	Pump Cable	H05VV-Fx0.75mm ²	1
215-27	MBS708CS-215-27	Self-tapping Screw	M4X8	10
215-28	MBS708CS-215-28	Cross Round Head Screw crew	M4X6	4
215-29	MBS708CS-215-29	Cross Round Head Screw	M4x12	4
215-30	MBS708CS-215-30	Star Washer	M4	6
215-32	MBS708CS-215-32	Limit Switch for Blade Guard	AZD-S11	1
215-34	MBS708CS-215-34	Cable-Gland	PG-11	2
215-35	MBS708CS-215-35	Limit Cable	H05VV-Fx0.75mm ²	1
215-36	MBS708CS-215-36	Limit Switch for Bow Down	AZD-112	1
215-40	MBS708CS-215-40	Relay	24V	1
215-41	MBS708CS-215-41	Fuse Seat		1
215-42	MBS708CS-215-42	Fuse	2A	1
215-43	MBS708CS-215-43	Fix Block		1
215-44	MBS708CS-215-44	Transformer	400/24V	1
215-45	MBS910CS-215-45	Overload protector	2.4A-3.6A	1

MBS910CS 50000341T

	colour of strands	Litzenfarben	couleur des cordons
BK	black	schwarz	noir
WH	white	weiß	blanc
BU	blue	blau	bleu
RD	red	rot	rouge
BN	brown	braun	brun
GNYE	green-yellow	grün-gelb	vert-jaune
GN	green	grün	vert

	meaning of symbol	Bedeutung der Zeichen	interprétation
KM	Magnetic contactor	Hauptschütz	contacteur
FU	fuse	Sicherung	fusible
L	lamp	Anzeigelampe	lampe d'indication
SE	emergency stop switch	Not-Aus Schalter	arrêt d'urgence
SB1	start button	Ein-Schalter	bouton marche
SC1	choice speed switch	Aus-Schalter	bouton arrêt
SC2	pump switch	Kühlmittel-Schalter	bouton pompe
SQ1	downer limit switch	Positionsendschalter	micro
M	main motor	Hauptmotor	moteur principal
P	pump	Kühlmittelmotor	moteur pompe
SQA	saw lid limit switch	Positionsendschalter	micro
SQB	tension limit switch	Positionsendschalter	micro

400/50/3

