

# **J E T**

**MCS-225**

**Miter Cold Saw**

**50000200M...230/50/1**

## **PARTS LIST**

**Walter Meier (Fertigung) AG**

Bahnstrasse 24

8603 Schwerzenbach

Switzerland

Phone +41 44 806 47 48

Fax +41 44 806 47 58

[jetinfo.eu@waltermeier.com](mailto:jetinfo.eu@waltermeier.com)

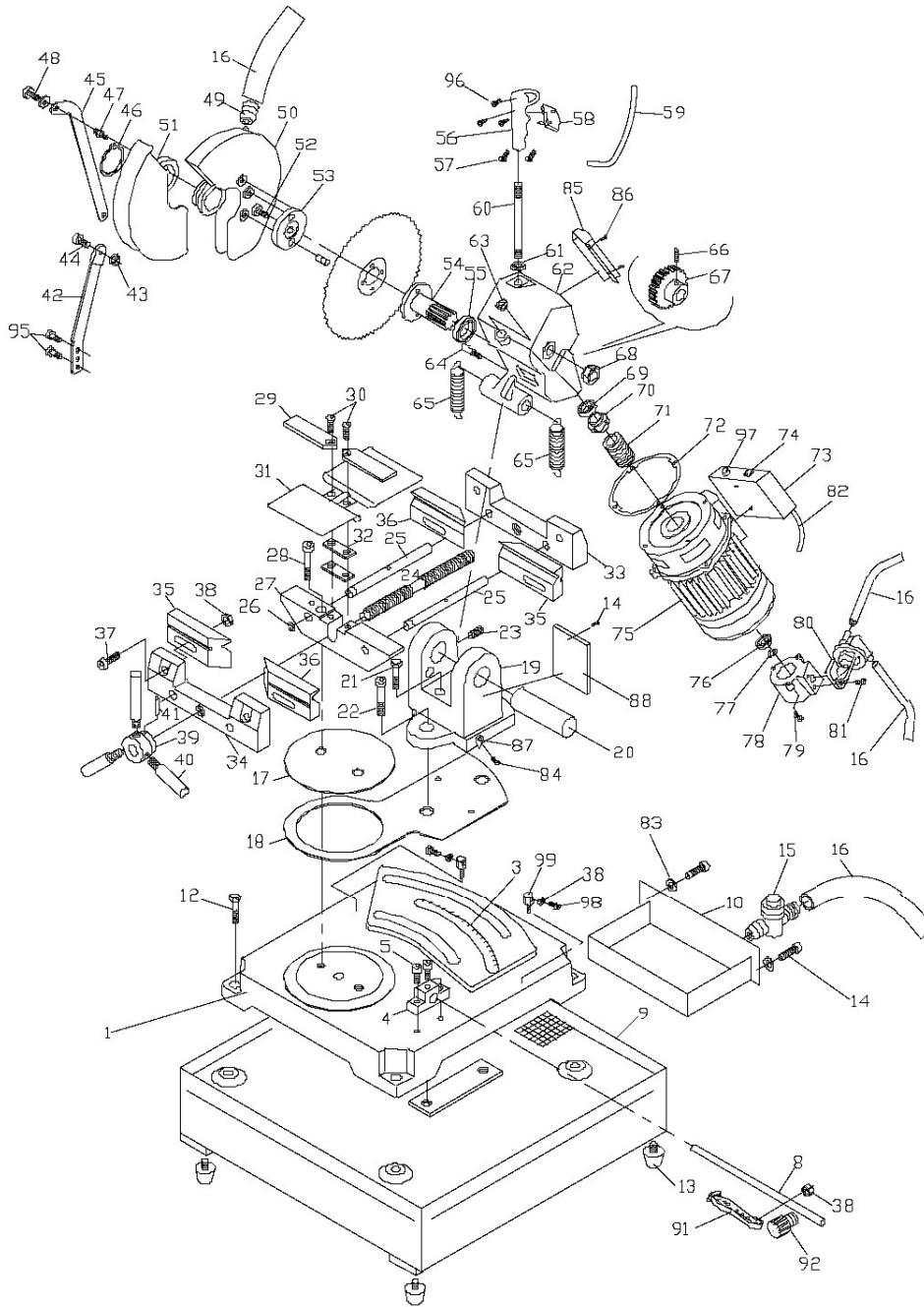
[www.jetwilton.com](http://www.jetwilton.com)



P-50000200M

2009/08/31

# Parts List for MCS-225 Miter Cold Saw



## Parts List for MCS-225 Miter Cold Saw

Index No.	Part No.	Description	Size	Qty
1	F225-101	Base		1
3	F225-103	Scale		1
4	F225-104	Support Block		1
5	TS-1503031	Socket Head Cap Screw	M6x12	2
8	F225-108	Stop Rod		1
9	F225-109	Cabinet		1
10	F225-110	Coolant Tank		1
12	TS-1490051	Hex Cap Screw	M8x30	4
13	F225-113	Rubber Foot		4
14	TS-1501011	Socket Head Cap Screw	M4x6	2
15	F225-115	Coolant Valve		1
16	F225-116	Coolant Tubing		1
17	F225-117	Disc		1
18	F225-118	Swivel Plate		1
19	F225-119	Pivot Block		1
20	F225-120	Pivot Pin		1
21	TS-1490041	Hex Cap Screw	M8x25	2
22	TS-1504111	Socket Head Cap Screw	M8x55	2
23	TS-1524041	Socket Set Screw	M8x16	2
24	F225-124	Lead Screw		1
25	F225-125	Guide Rod		2
26	F225-126	Retaining Ring	S13	2
27	F225-127	Middle Support		1
28	TS-1504071	Socket Head Cap Screw	M8x35	2
29	F225-129	Plate		4
30	TS-1515021	Flat Head Screw	M8x20	2
31	F225-131	Cover		1
32	F225-132	Support Plate		2
33	F225-133	Rear Vise Jaw		1
34	F225-134	Front Vise Jaw		1
35	F225-135	Jaw Insert		2
36	F225-136	Jaw Insert		2
37	TS-1503051	Socket Head Cap Screw	M6x20	4
38	TS-1540041	Hex Nut	M6	7
39	F225-139	Handle Hub		1
40	F225-140	Handle		3
41	F225-141	Spring Pin		1
42	F225-142	Support Link		1
43	TS-1541031	Lock Nut	M8	1
44	TS-1504041	Socket Head Cap Screw	M8x20	1
45	F225-145	Guard Link		1
46	F225-146	Retaining Ring	S60	1
47	F225-147	Screw		1
48	TS-1504031	Socket Head Cap Screw	M8x16	1
49	F225-149	Connector Fitting		1
50	F225-150	Fixed Blade Guard		1
51	F225-151	Moveable Blade Guard		1
52	F225-152	Socket Head Cap Screw (LH Thread)	M12x25 LH	1
53	F225-153	Blade Shaft Flange		1
54	F225-154	Blade Shaft		1
55	F225-155	Oil Seal		1
56	F225-156	Handle Grip		1
57	TS-2284081	Flat Head Screw	M4x8	4
58	F225-158	Limit Switch		1
59	F225-159	Cable		1

Index No.	Part No.	Description	Size	Qty
60	F225-160	Handle		1
61	TS-154010	Hex Nut	M16	1
62	F225-162	Head		1
63	F225-163	Oil Plug		1
64	F225-164	Spring Screw		1
65	F225-165	Spring		2
66	TS-1523021	Socket Set Screw	M6x8	1
67	F225-167	Worm Gear		1
68	F225-168	Oil Sight Glass		1
69	BB-6001ZZ	Ball Bearing	6001ZZ	1
70	F225-170	Nut		1
71	F225-171	Worm		1
72	F225-172	Head Gasket		1
73	F225-173E	Switch Box		1
	F225-175EC	Capacitor (not shown)	350WVAC, 25•F	1
	F225-175EMC	Magnetic Contactor (not shown)	230V, 1Ph	1
	F225-175EOR	Overload Relay (not shown)		1
	F225-175ETR	Transformer (not shown)		1
	F225-175EFU	Fuse (not shown)	15A	2
74	F225-174E	Magnetic Switch 230V	KJD-12	1
75	F225-175E	Motor	1HP, 230V, 1ph	1
76	BB-609ZZ	Bearing	609ZZ	1
77	F225-177	E-Clip	E-10	1
78	F225-178	Pump Connection Box		1
79	TS-1501051	Socket Head Cap Screw	M4x16	3
80	F225-180	Coolant Pump		1
81	TS-1503051	Socket Head Cap Screw	M6x20	2
82	F225-182E	Power Cord		1
83	TS-1550021	Flat Washer	M4	2
84	TS-1532032	Pan Head Screw	M4x10	1
85	F225-185	Cover		1
86	TS-2171012	Pan Head Screw	M4x6	4
87	F225-187	Indicator		1
88	F225-188	Rubber Sheet		1
89	F225-189	Front Cover Plate		1
91	F225-191	Stock Stop		1
92	F225-192	Thumbscrew	M6x20	1
94	TS-2171012	Pan Head Screw	M4x6	2
95	TS-1504031	Socket Head Cap Screw	M8x16	2
96	F225-196	Tapping Screw	M3x12	4
97	F225-197E	Power Light		1
98	TS-1503071	Socket Head Cap Screw	M6x30	2
99	F225-199	Support Seat		2

# MCS-225

50000200M

230/50/1

	colour of strands	Litzenfarben	couleur des cordons
BK	black	schwarz	noir
WH	white	weiß	blanc
BU	blue	blau	bleu
YE	yellow	gelb	jaune
RD	red	rot	rouge
BN	brown	braun	brun
GYNE	green-yellow	grün-gelb	vert-jaune

	meaning of symbol	Bedeutung der Zeichen	interprétation
M	motor	Motor	moteur
KM	contactor for main motor	Hauptschütz	contacteur moteur
S1	switch	Schalter	interrupteur
C	condenser	Kondensator	condensateur
F	fuse	Sicherung	fusible
OL	overload cut-off	Überlastschalter	déclencheur surcharge
L	Power lamp	Anzeigenlampe	lampe d'indication

