

# **J E T**

**MCS-275**

**Miter Cold Saw**

**50000210M...230/50/1**

**50000210T...400/50/3**

## **PARTS LIST**

**Walter Meier (Fertigung) AG**

Bahnstrasse 24

8603 Schwerzenbach

Switzerland

Phone +41 44 806 47 48

Fax +41 44 806 47 58

[jetinfo.eu@waltermeier.com](mailto:jetinfo.eu@waltermeier.com)

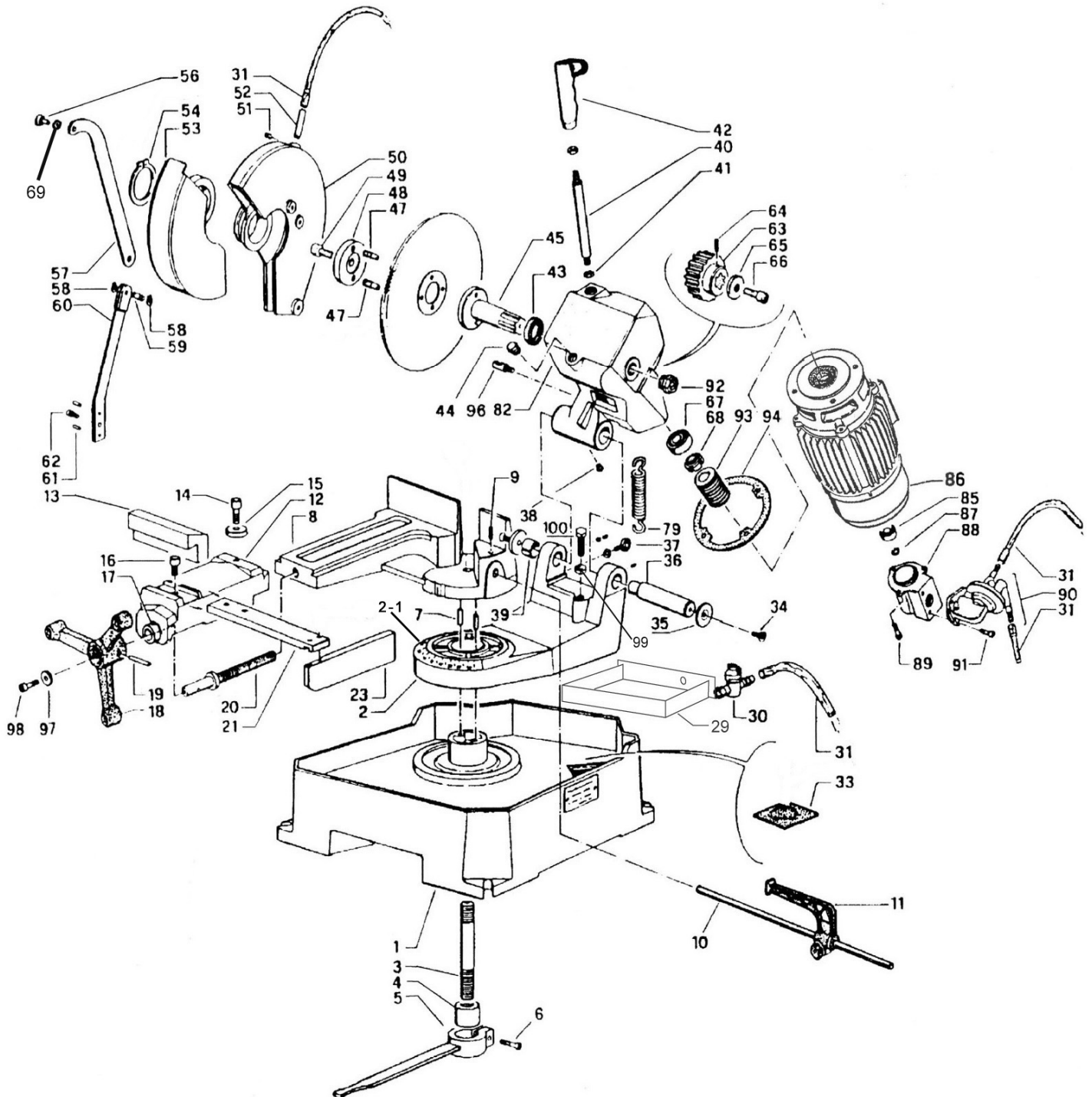
[www.jetwilton.com](http://www.jetwilton.com)



P-50000210M / 50000210T 2010/06/11

# Parts List for MCS-275 Miter Cold Saw

## Exploded view

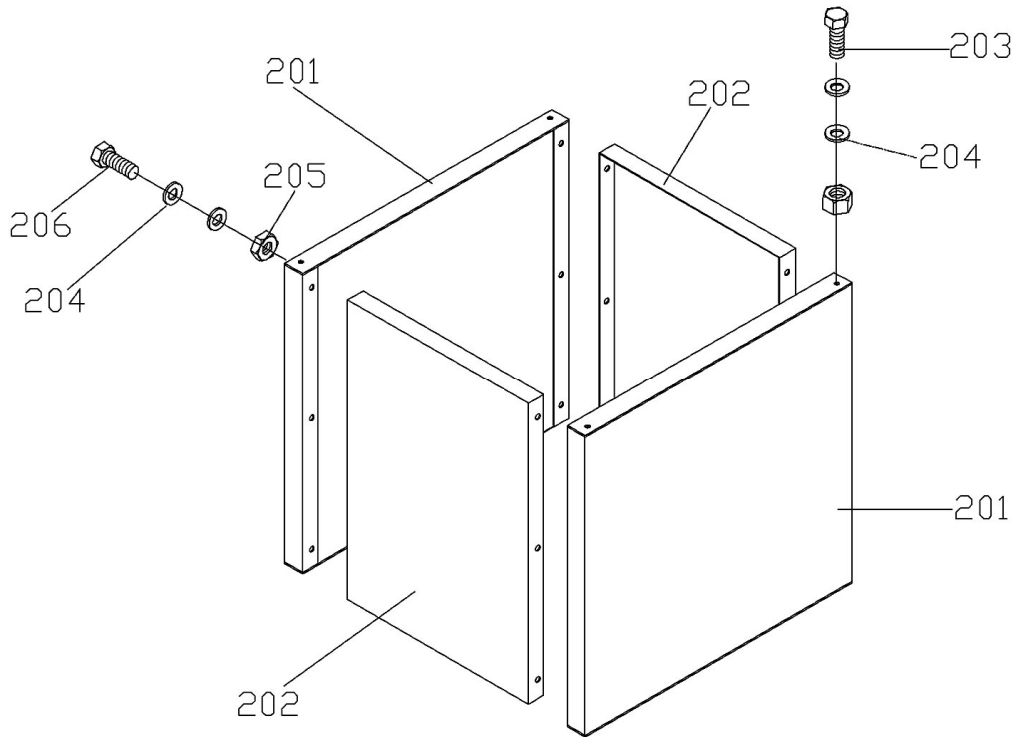


## Parts List for MCS-275 Miter Cold Saw

Index No.	Part No.	Description	Size	Qty
1	MCS275-101	Base		1
2	MCS275-102	Revolving Arm		1
2-1	MCS275-102-1	Scale		1
3	MCS275-103	Revolving Arm Locking Pin		1
4	MCS275-104	Revolving Arm Locking Bush		1
5	MCS275-105	Revolving Arm Locking Lever		1
6	TS-1504041	Socket Head Cap Screw	M8x20	1
7	MCS275-107	Spring Pin	ø6	2
8	MCS275-108	Counter Vice		1
9	TS-1524041	Socket Set Screw	M8x16	1
10	MCS275-110	Bar Stop Rod		1
11	MCS275-111	Bar Stop		1
12	MCS275-112	Vice		1
13	MCS275-113	Vice Bracket		1
14	TS-1506021	Socket Head Cap Screw	M12x25	1
15	MCS275-115	Washer		1
16	TS-1506021	Socket Head Cap Screw		1
17	MCS275-117	Bushing		1
18	MCS275-118	Vice Handwheel		1
19	MCS275-119	Spring Pin	ø6	1
20	MCS275-120	Lead Screw		1
21	MCS275-212	Bracket		1
23	MCS275-123	Burr-free Plate		1
25	MCS315-025	Vice Bar (not shown)		1
26	MCS315-026	Bearing (not shown)	51106	1
27	MCS315-027	Bearing Seat (not shown)		1
29	MCS275-129	Coolant Box		1
30	MCS275-130	Coolant Tap		1
31	MCS275-131	Coolant Tube		1
33	MCS275-133	Tank Filter		1
34	TS-1515021	Socket Head Flat Screw	M8x20	2
35	MCS275-135	Flange		1
36	MCS275-136	Hinge Pin		1
37	MCS275-137	Hook		1
38	TS-1523061	Socket Set Screw	M6x20	2
39	MCS275-139	Bushing		1
40	MCS275-140	Head Lever		1
41	TS-2310162	Hex Nut	M16	1
42	MCS275-142	Head Lever Handgrip		1
	MCS275-HLA	Head lever Assembly(included #40 ,41 and #42)		1
43	MCS275-143	Ring	SM 30-40-7	1
44	MCS275-144	Plug		1
45	MCS275-145	Blade Shaft		1
47	MCS275-147	Blade Shaft Flange Stakes		1
48	MCS275-148	Blade Shaft Flange		1
49	MCS275-149	Socket Head Cap Screw	M12x30 LH	1
50	MCS275-150	Fixed Blade Guard		1
51	TS-1523071	Socket Set Screw	M6x25	1
52	MCS275-152	Coolant Tube		1
53	MCS275-153	Mobil Guard		1
54	MCS275-154	E-Ring	ø60	1
56	TS-1503021	Socket Head Cap Screw	M6x10	1
57	MCS275-157	Mobil Guard Rod		4
58	MCS275-158	E-Ring	ø10	1
59	MCS275-159	Tie Rod Support Pin		1
60	MCS275-160	Tie Rod Support		1

Index No.	Part No.	Description	Size	Qty
61	MCS275-161	Spring Pin	∅ 6	2
62	TS-1504031	Socket Head Cap Screw	M8x16	1
63	MCS275-163	Worm Gear		1
64	TS-1524011	Socket Set Screw	M8x8	1
65	MCS275-165	Worm Wheel Retain Washer		1
66	TS-1506021	Socket Head Cap Screw	M12x25	1
67	MCS275-167	Ring Nut	M17	1
68	TS-1540100	Hex Nut	M16	1
69	TS-1540041	Hex Nut	M6	1
79	MCS275-179	Head Return Spring		1
82	MCS275-182E	Motor Head		1
85	BB-609ZZ	Ball Bearing	609ZZ	1
86	MCS275-186E	Motor	1.3Hp, 230V, 1ph	1
	MCS275-186AE	Motor	1.3Hp, 400V, 3Ph	1
87	MCS275-187	Ring Seeger		1
88	MCS275-188	Pump Connection Box		1
89	TS-1501051	Socket Head Cap Screw	M4x16	3
90	MCS275-190	Coolant Pump		1
91	TS-2286202	Pan Head Screw	M6x20	2
92	MCS275-192	Oil Level-Drain Plug		1
93	MCS275-193	Worm		1
94	MCS275-194	Head Gasket		1
96	MCS275-196	Spring		1
97	TS-1550061	Flat Washer	M8	1
98	TS-1504041	Socket Head Cap Screw	M8x20	1
99	TS-1504041	Hex Nut	M10	1
100	TS-1491050	Hex Cap Screw	M10x35	1

## Parts List for MCS-275 Miter Cold Saw Stand Assembly

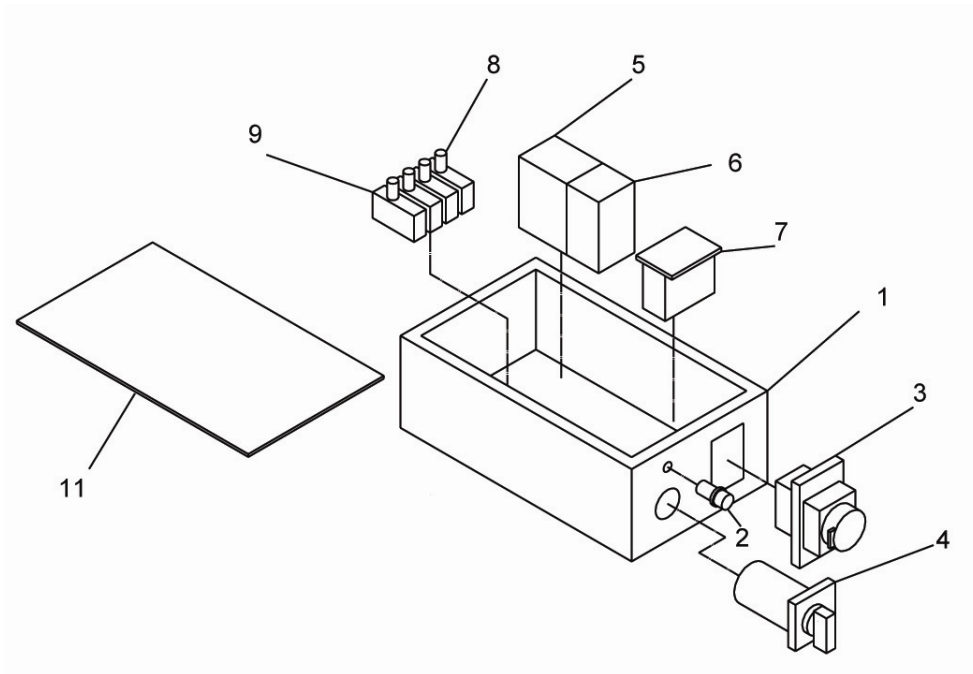


## Parts List for MCS-275 Miter Cold Saw Stand Assembly

Index No.	Part No.	Description	Size	Qty
201	MCS275-201	Front Panel		2
202	MCS275-202	Side Panel		2
203	TS-1490060	Hex Cap Screw	M8x35	4
204	TS-1550061	Flat Washer	M8	32
205	TS-2311081	Hex Nut	M8	16
206	TS-1490031	Hex Cap Screw	M8x20	12

## Part list and Breakdown for Electric Box

Index No.	Part No.	Description	Size	Qty
1	MCS275-1	Switch Box		1
2	MCS275-2M	Power Lamp (L)for 1PH	230V	1
	MCS275-2T	Power Lamp (L)for 3PH	400V	1
3	MCS275-3M	Electromagnetic switch(1ph)	KJD-12	1
	MCS275-3T	Electromagnetic switch(3ph)	KJD-18	1
4	MCS275-4	Select switch	3ph	1
5	MCS275-5	Magnetic Contactor (1ph)		1
	MCS275-5AE	Magnetic Contactor (3ph)		1
6	MCS275-6	Overload Relay(range 5-8A)	1ph	1
	MCS275-6E	Overload Relay (range 1.7-2.6A)	3ph	1
7	MCS275-7	Transformer	230V	1
	MCS275-7AE	Transformer	400V	1
8	MCS-275-8T	Fuse (3ph)	8A	3
	MCS275-8M	Fuse (1ph)	15A	2
9	MCS275-9	Fuse(for Circuit)	1A	1
10	MCS275-10E	Power Cable(not show)	400V	1
	MCS275-10AE	Power Cable(not show)	230V	1
11	MCS275-11	Top Cover		1
	MCS275-CP	Capacitor(not show)	350VAC 30uf	1



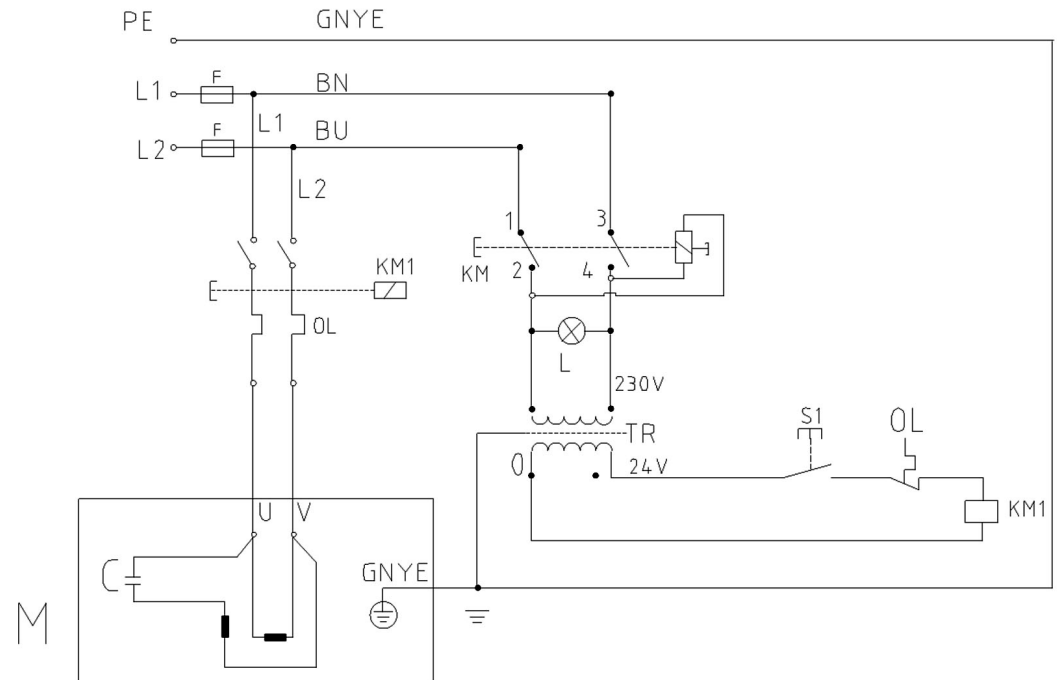
**MCS-275**

**50000200M**

**230/50/1**

	colour of strands	Litzenfarben	couleur des cordons
BK	black	schwarz	noir
WH	white	weiß	blanc
BU	blue	blau	bleu
YE	yellow	gelb	jaune
RD	red	rot	rouge
BN	brown	braun	brun
GYNE	green-yellow	grün-gelb	vert-jaune

	meaning of symbol	Bedeutung der Zeichen	interprétation
M	motor	Motor	moteur
KM	contactor for main motor	Hauptschütz	contacteur moteur
S1	switch	Schalter	interrupteur
C	condenser	Kondensator	condensateur
F	fuse	Sicherung	fusible
OL	overload cut-off	Überlastschutzschalter	déclencheur surcharge
L	Power lamp	Energie Lampe	Commutateur à came



# MCS-275

50000200T

400/50/3

	colour of strands	Litzenfarben	couleur des cordons
BK	black	schwarz	noir
WH	white	weiß	blanc
BU	blue	blau	bleu
YE	yellow	gelb	jaune
RD	red	rot	rouge
BN	brown	braun	brun
GNYE	green-yellow	grün-gelb	vert-jaune

	meaning of symbol	Bedeutung der Zeichen	interprétation
M	motor	Motor	moteur
KM	contactor for main motor	Hauptschütz	contacteur moteur
S1	switch	Schalter	interrupteur
C	condenser	Kondensator	condensateur
F	fuse	Sicherung	fusible
OL	overload cut-off	Überlastschuttschalter	déclencheur surcharge
L	Power lamp	Energie Lampe	Commutateur à came
SA1	Cam Switch	Nocken-Schalter	de lampe de puissance

